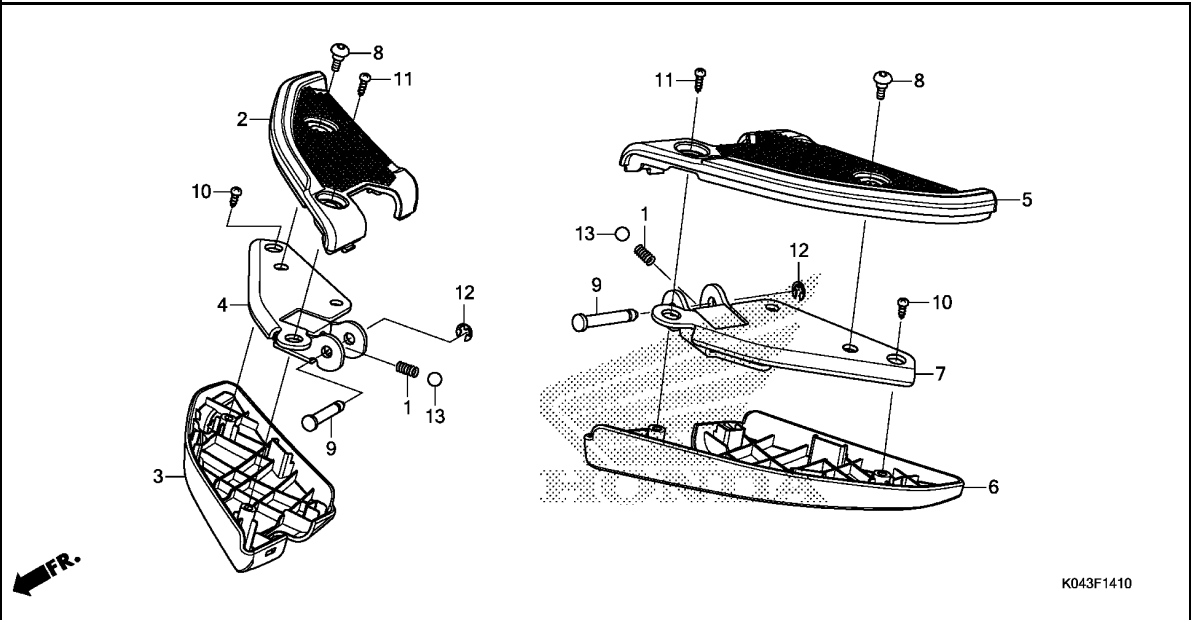


F-14-10

PILLION STEP

G 9



Ref. No.	L.O.N.	(Relative ref. Number) Description	F.R.T.
4	(2,3)		
4101C8		BAR, PILLION STEP :RIGHT	0.1
7	(5,6)		
4101C7		BAR, PILLION STEP :LEFT	0.1
4101P4		BAR, PILLION STEP :BOTH	0.2

Ref. No.	Part No.	Description	Reqd. QTY		Serial No.	Parts catalogue code
			NSS 300 D	NSS 300A D		
1	28333-300-000	SPRING, KICK STARTER STOPPER	2	2		
2	50711-K04-930	COVER, R. PILLION STEP UPPER	1	1		
3	50712-K04-930	COVER, R. PILLION STEP LOWER	1	1		
4	50713-K04-930	PLATE, R. PILLION STEP	1	1		
5	50721-K04-930	COVER, L. PILLION STEP UPPER	1	1		
6	50722-K04-930	COVER, L. PILLION STEP LOWER	1	1		
7	50723-K04-930	PLATE, L. PILLION STEP	1	1		
8	90106-MM4-000	SCREW, PAN, 6X14	2	2		
9	90131-K04-930	PIN, PILLION STEP	2	2		
10	93903-35180	SCREW, TAPPING, 5X10	2	2		
11	93903-35280	SCREW, TAPPING, 5X12	2	2		
12	94540-04018	E-RING, 4MM	2	2		
13	96211-08000	BALL, STEEL, #8(1/4)	2	2		

3