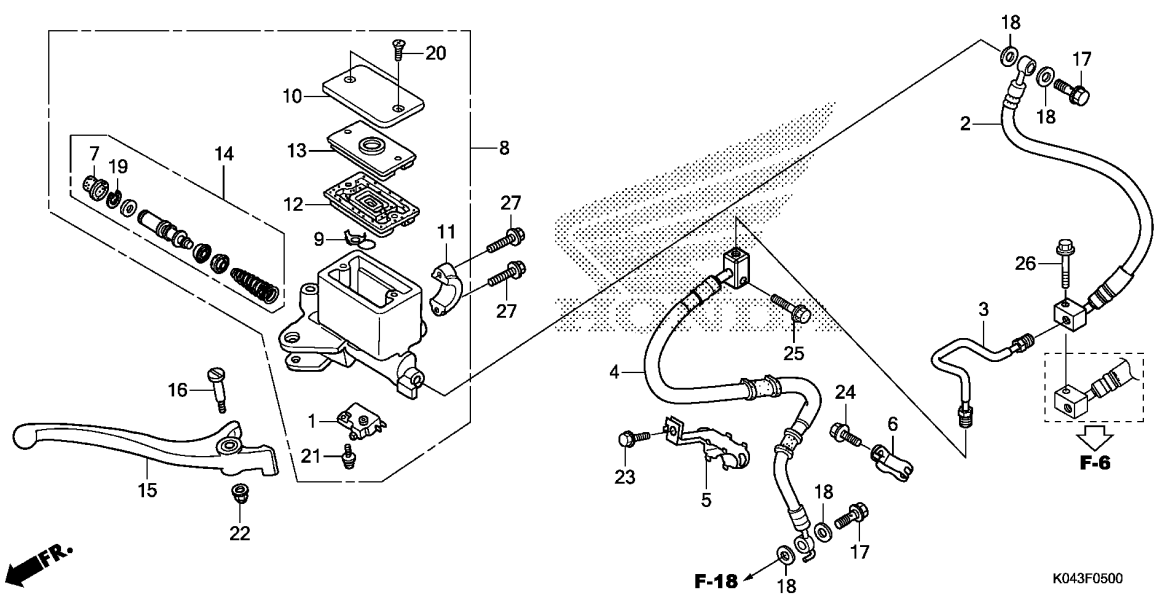


F-5

FRONT BRAKE MASTER CYLINDER(NSS300)



| Ref. No. | L.O.N. | (Relative ref. Number) Description | F.R.T. |
|----------|--------|--------------------------------------|--------|
| 1 | 6151B2 | SWITCH, FRONT STOP | 0.1 |
| | 6151B6 | SWITCH, STOP :BOTH | 0.2 |
| 2 | 712127 | HOSE A, FRONT BRAKE | 1.2 |
| | | .INCLUDES: Bleed brakes | |
| 3 | 7121C8 | PIPE B, FRONT BRAKE | 1.2 |
| | | .INCLUDES: Bleed brakes | |
| 4 | 7121V3 | HOSE E, FRONT BRAKE | 1.3 |
| | | .INCLUDES: Bleed brakes | |
| 8 | 712105 | CYLINDER, FRONT BRAKE MASTER | 0.4 |
| | | .INCLUDES: Bleed brakes | |
| 12 | 7121G6 | DIAPHRAGM, FRONT BRAKE MASTER | 0.1 |
| | | CYLINDER | |
| 14 | 7121G9 | PISTON SET, FRONT BRAKE MASTER | 0.4 |
| | | .INCLUDES: Bleed brakes | |
| 15 | 8101C7 | LEVER, HANDLE :RIGHT | 0.1 |
| | 8101F5 | LEVER, HANDLE :BOTH | 0.2 |

| Ref. No. | Part No. | Description | Reqd. QTY | | Serial No. | Parts catalogue code |
|----------|----------------|--|-----------|------------|------------|----------------------|
| | | | NSS 300 D | NSS 300A D | | |
| 1 | 35340-MGS-D31 | SWITCH ASSY., FR. STOP | 1 | - | | |
| 2 | 45125-K04-931 | HOSE COMP. A, FR. BRAKE | 1 | - | | |
| 3 | 45126-K04-930 | PIPE COMP. B, FR. BRAKE | 1 | - | | |
| 4 | 45128-K04-931 | HOSE COMP. E, FR. BRAKE | 1 | - | | |
| 5 | 45135-KVZ-630 | CLAMPER A, BRAKE HOSE | 1 | - | | |
| 6 | 45161-KVZ-630 | CLAMPER B, BRAKE HOSE | 1 | - | | |
| 7 | 45504-410-003 | BOOT COMP. | 1 | - | | |
| 8 | 45510-K04-931 | CYLINDER SUB ASSY., FR. BRAKE MASTER(NISSIN) | 1 | - | | |
| 9 | 45512-MA6-006 | PROTECTOR | 1 | - | | |
| 10 | 45513-KK1-771 | CAP, MASTER CYLINDER | 1 | - | | |
| 11 | 45517-166-006 | HOLDER, MASTER CYLINDER | 1 | - | | |
| 12 | 45520-MG7-006 | DIAPHRAGM | 1 | - | | |
| 13 | 45521-HA2-006 | PLATE, DIAPHRAGM | 1 | - | | |
| 14 | 45530-KVY-911 | CYLINDER SET, MASTER | 1 | - | | |
| 15 | 53175-K04-931 | LEVER, R. HANDLE | 1 | - | | |
| 16 | 90114-MA5-671 | BOLT, HANDLE LEVER PIVOT | 1 | - | | |
| 17 | 90145-MS9-612 | BOLT, OIL, 10X22 | 2 | - | | |
| 18 | 90545-300-000 | WASHER, OIL BOLT | 4 | - | | |
| 19 | 90651-MA5-671 | CIRCLIP | 1 | - | | |
| 20 | 93600-04012-16 | SCREW, FLAT, 4X12 | 2 | - | | |
| 21 | 93893-04012-17 | SCREW-WASHER, 4X12 | 1 | - | | |
| 22 | 94050-06000 | NUT, FLANGE, 6MM | 1 | - | | |
| 23 | 95701-06012-07 | BOLT, FLANGE, 6X12 | 1 | - | | |
| 24 | 95701-06016-07 | BOLT, FLANGE, 6X16 | 1 | - | | |