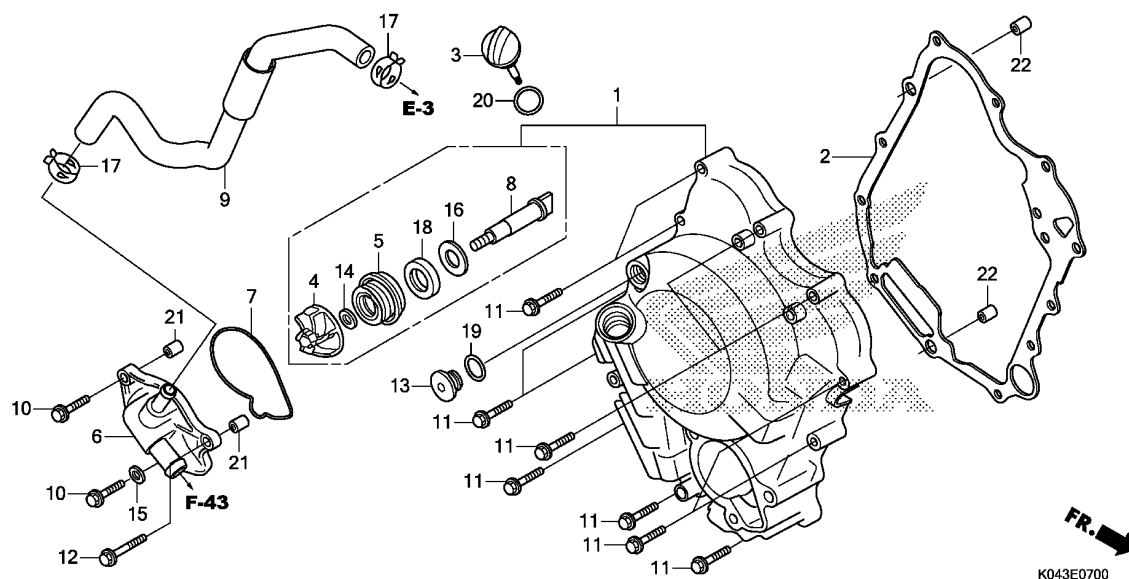


E-7

RIGHT CRANKCASE COVER/WATER PUMP

D 9



Ref. No.	L.O.N.	(Relative ref. Number) Description	F.R.T.
1	110159	COVER, CRANKCASE :RIGHT .....	1.5
2	110158	GASKET, CRANKCASE COVER :RIGHT .....	1.4
4	114105	IMPELLER, WATER PUMP .....	1.0
5	114110	MECHANICAL SEAL, WATER PUMP ..	1.7
6	1141B0	COVER, WATER PUMP .....	0.9
7	1141B1	GASKET, WATER PUMP COVER .....	0.9
8	1141E7	SHAFT, WATER PUMP .....	1.6
9	1141B4	HOSE, WATER BYPASS .....	1.0

Ref. No.	Part No.	Description	Reqd. QTY		Serial No.	Parts catalogue code
			NSS 300 D	NSS 300A D		
1	11300-K04-931	COVER ASSY., R. ....	1	1		
2	11394-KTW-901	GASKET, R. CRANKCASE COVER ..	1	1		
3	15651-K04-930	GAUGE, OIL LEVEL .....	1	1		
4	19215-KTW-900	IMPELLER, WATER PUMP .....	1	1		
5	19217-MAL-300	SEAL, MECHANICAL .....	1	1		
6	19220-K04-930	COVER COMP., WATER PUMP .....	1	1		
7	19226-KTW-900	GASKET, WATER PUMP COVER .....	1	1		
8	19241-K04-930	SHAFT, WATER PUMP .....	1	1		
9	19527-KTW-900	HOSE, WATER BYPASS .....	1	1		
10	90010-K04-930	BOLT, FLANGE, 6X32(NSHF) .....	2	2		
11	90011-K04-930	BOLT, FLANGE, 6X40(NSHF) .....	11	11		
12	90013-K04-930	BOLT, FLANGE, 6X75(NSHF) .....	1	1		
13	90084-KWA-930	CAP, 14MM .....	1	1		
14	90423-KJ9-000	WASHER, 7.2X13X1.2 .....	1	1		
15	90441-706-000	WASHER, SEALING, 6MM .....	1	1		
16	90599-767-C10	WASHER, THRUST, 12X23X2 .....	1	1		
17	90678-MR1-690	CLIP, HOSE .....	2	2		
18	91202-KTW-901	OIL SEAL, 12X26X5 .....	1	1		
19	91303-377-000	O-RING, 13.8X2.5 .....	1	1		
20	91307-035-000	O-RING, 18X3 .....	1	1		
21	94301-08140	DOWEL PIN, 8X14 .....	2	2		
22	94301-10160	DOWEL PIN, 10X16 .....	2	2		

2