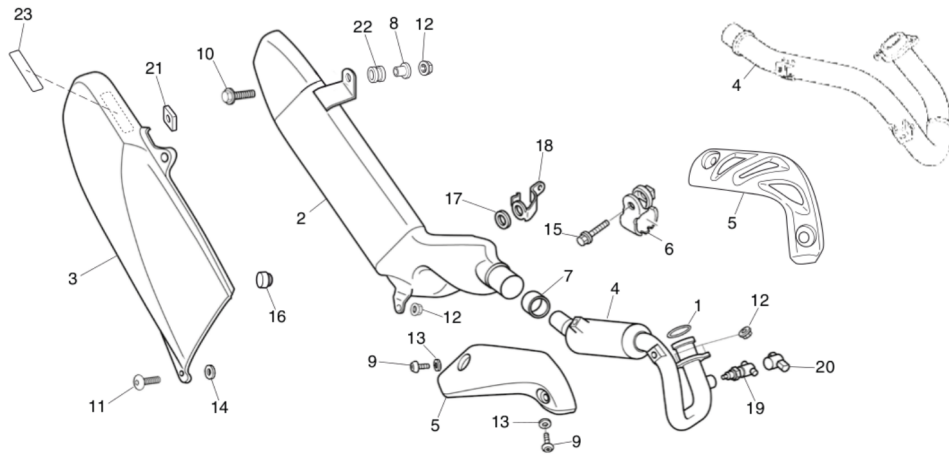


Block No.
F-16
Exhaust muffler



Ref.No.	Part No.	Description	Qty. '21	Ref.No.	Part No.	Description	Qty. '21
1	18291-NN4-000	GASKET, EXHAUST PIPE	1	14	90512-921-0100	WASHER, PLAIN 6mm	1
2	18310-NN4-P60	MUFFLER COMP. EXHAUST (2ED)	1	15	90216-MM9-000	BOLT, FLANGE DR 8X32	1
	18310-NN4-P70	MUFFLER COMP. EXHAUST (4ED)	1	16	83512-KA4-700	RUBBER	1
3	83510-NN4-P60	COVER RH. SIDE.....	1	17	83551-GE2-000	RUBBER SIDE COVER	1
4	18320-NN4-M60	EXHAUST PIPE COMP. (2ED)	1	18	80113-NN4-G10	wv	1
	18330-NN4-L70	EXHAUST PIPE COMP. (4ED)	1	19	36532-GFC-771	O2 SENSOR	1
5	18323-NN4-M10	PROTECTOR EXHAUST PIPE (2ED)	1	20	18383-NN4-G10	COVER O2 SENSOR	1
	18323-NN4-000	PROTECTOR EXHAUST PIPE (4ED)	1	21	83515-KZ3-700	RUBBER SIDE COVER	1
6	18374-ML4-003	BAND, MUFFLER	1	22	19051-KA3-830	RUBBER	1
7	18391-MB0-891	PACKING MUFFLER.....	1	23	87586-NN4-N10	LABEL, E5/E10/95+ FUEL	1
8	19052-MAC-680	COLLAR.....	2				
9	90108-KGB-610	BOLT 6X8.....	2				
10	90115-MAS-E00	SPECIAL BOLT 6X37	1				
11	90106-NN4-J10	SCREW PAN 6X23.....	1				
12	94050-06000	NUT, FLANGE 6mm	4				
13	94101-06000	WASHER, PLAIN 6mm	2				