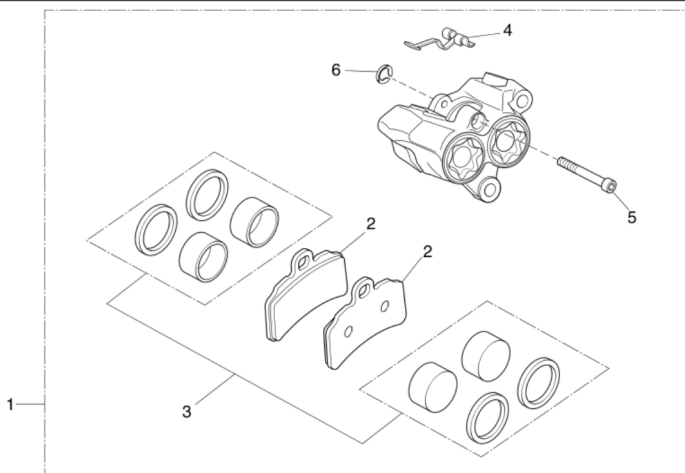


Block No.
F-08
Front brake caliper



Ref.No.	Part No.	Description	Qty. '21	Ref.No.	Part No.	Description	Qty. '21
1	45100-NN4-N60	CALIPER ASSY., FR (RED CAPS)	1				
2	45105-NN4-N20	PAD COMP., FR	2				
3	45120-NN4-N20	PISTON SET, FR CALIPER	1				
4	45108-NN4-N20	SPRING	1				
5	45109-NN4-N20	PAD PIN	1				
6	90651-NN4-N20	CIRCLIP	1				