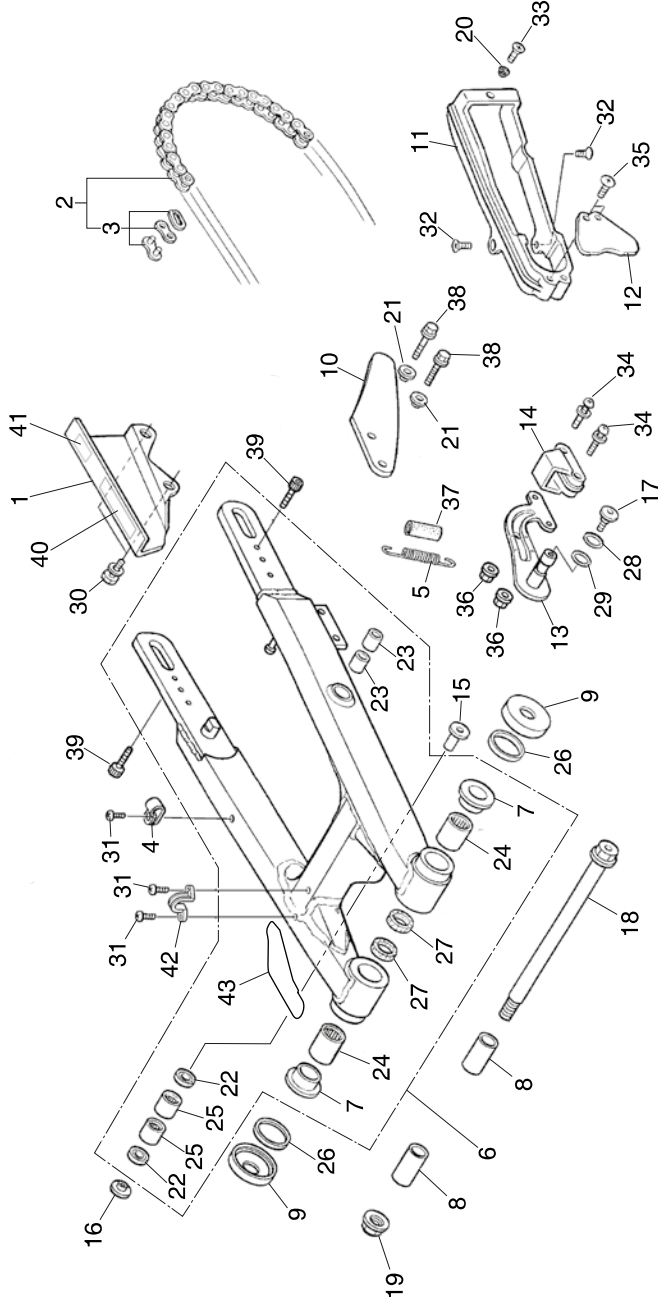


Block No.
F-19
Swingarm



Ref.No.	Part No.	Description	Qty. '20	Ref.No.	Part No.	Description	Qty. '20
31	90104-ML7-920	SCREW, PAN 5X8.....	3				
32	93600-05012-0G	SCREW, FLAT 5X12.....	2				
33	93600-05016-0G	SCREW, FLAT 5X16.....	1				
34	90003-NN4-J10	SCREW 5X20.....	2				
35	93913-15280	SCREW, TAPPING 5X12.....	2				
36	94050-05000	NUT, FLANGE 5mm.....	2				
37	95003-43004-20	V.TUBE, 13X15X40.....	1				
38	96001-06012-00	BOLT, FLANGE SH 6X12.....	2				
39	96600-06010-10	BOLT, SOCKET 6X10.....	2				
40	87505-NN4-L10	LABEL, TIRE (2ED).....	1				
41	87507-NN4-H10	LABEL, DRIVE CHAIN.....	1				
42	43468-KZ3-B00	CLIP, RR BRK HOSE.....	1				
43	52143-NN4-J10	TAPE SWINGARM RR.....	1				