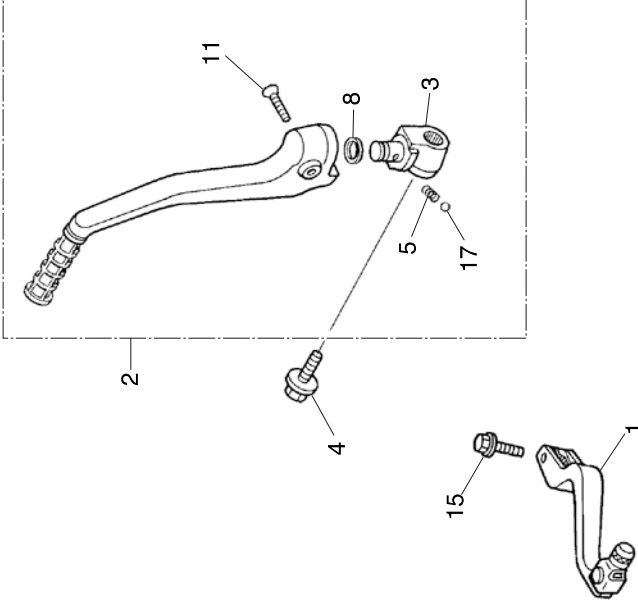
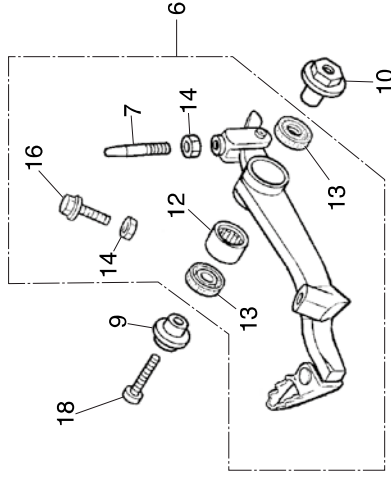


Block No.

**F-17**

Pedal  
Kick starter arm



Ref.No.	Part No.	Description	Qty. '20	Ref.No.	Part No.	Description	Qty. '20
1	24700-NN4-K10	PEDAL COMP., CHANGE	1	17	96211-08000	STEEL BALL 8	1
2	28300-NN4-L60	ARM ASSY., KICKSTARTER	1	18	96700-08032-10	BOLT, SOCKET 8X32	1
3	28302-NN4-000	JOINT, KICK ARM	1				
4	28306-MEN-670	BOLT	1				
5	28333-KK0-000	SPRING, KICKSTARTER ARM SET	1				
6	46500-NN4-M60	PEDAL ASSY., RR BRAKE (BLACK)	1				
7	46521-NN4-000	ROD, BRAKE	1				
8	46525-KK0-003	DUST SEAL 17X2.0X2.5	1				
9	46531-NN4-000	COLLAR A, RR BRAKE	1				
10	46532-NN4-000	COLLAR B, RR BRAKE	1				
11	90101-MAC-680	BOLT	1				
12	91001-GG2-003	BEARING, NEEDLE 12X18X12	1				
13	91201-951-003	OIL SEAL, 12X18X3	2				
14	94001-06000-0S	NUT, HEX 6mm	2				
15	96001-06022-00	BOLT, FLANGE SH 6X22	1				
16	96001-06018-00	BOLT, FLANGE SH 6X18	1				