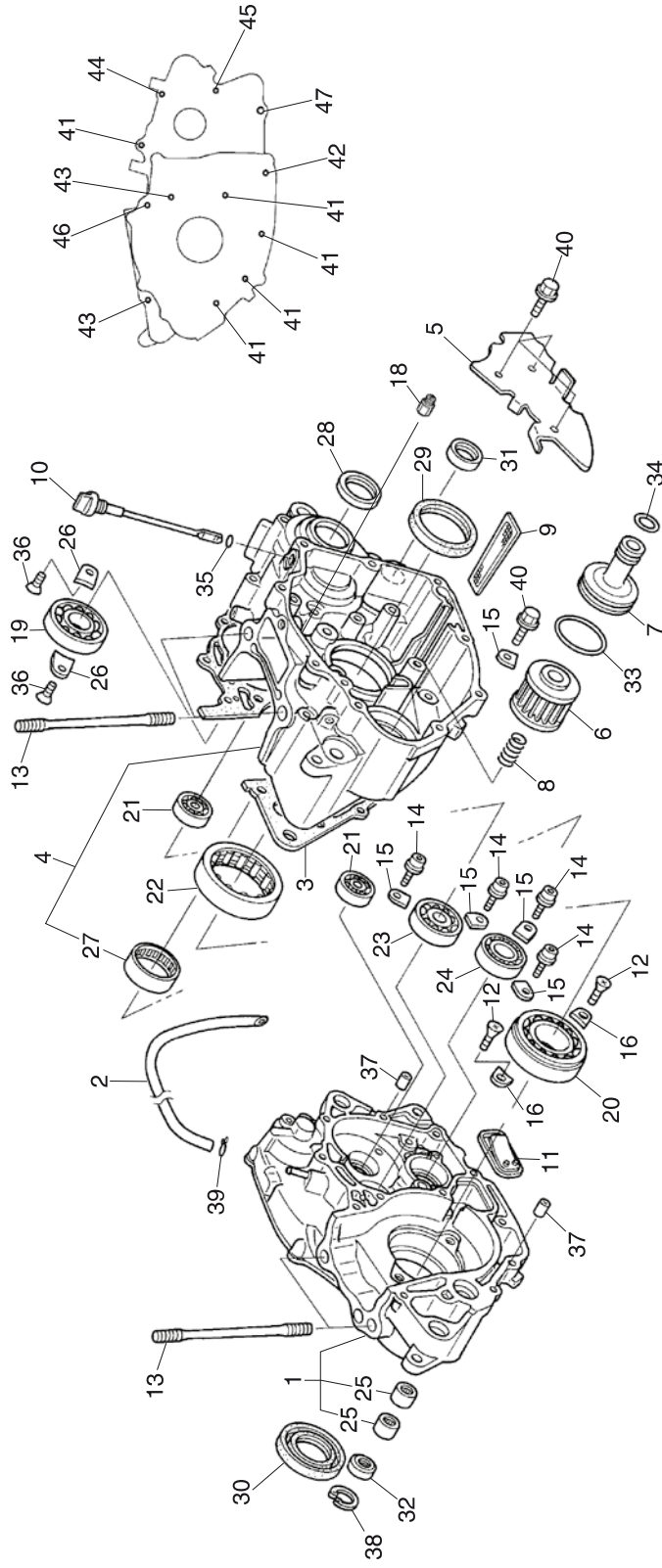


Block No.
E-11
Crankcase



Ref.No.	Part No.	Description	Qty. '20	Ref.No.	Part No.	Description	Qty. '20
33	91302-PA9-003	O-RING, 39.8X2.2.....	1				
34	91303-HA0-003	O-RING, 11X1.9.....	1				
35	91316-MJ8-003	O-RING, 8.4X2.4.....	1				
36	93600-06010-0H	SCREW, FLAT 6X10.....	2				
37	94301-08140	DOWEL PIN, 8X14.....	2				
38	94520-19000	CIRCLIP, IN, 19.....	1				
39	95002-02100	CLIP B10, TUBE.....	1				
40	96001-06014-00	BOLT, FLANGE, 6X14.....	4				
41	96001-06045-00	BOLT, FLANGE, 6X45.....	5				
42	96001-06055-00	BOLT, FLANGE, 6X55.....	1				
43	96001-06070-00	BOLT, FLANGE, 6X70.....	2				
44	96001-06075-00	BOLT, FLANGE, 6X75.....	1				
45	96001-06080-00	BOLT, FLANGE, 6X80.....	1				
46	96001-06085-00	BOLT, FLANGE, 6X85.....	1				
47	96300-08070-00	BOLT, FLANGE, DR, 8X70.....	1				