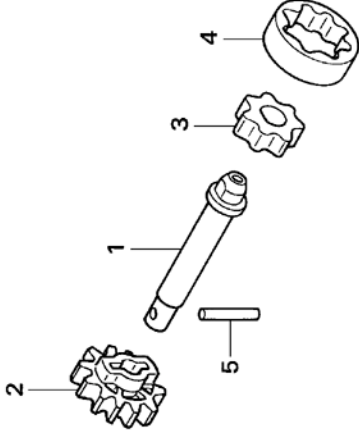


Block No.
E-07
Oil pump



Ref.No.	Part No.	Description	Qty. '20	Ref.No.	Part No.	Description	Qty. '20
1	15111-NN4-000	SHAFT, OIL PUMP	1				
2	15133-NN4-000	GEAR, OIL PUMP DRIVEN	1				
3	15331-324-000	ROTOR INNER OIL PUMP	1				
4	15332-324-000	ROTOR OUTER OIL PUMP	1				
5	96220-30178	ROLLER, 3X17.8.....	1				