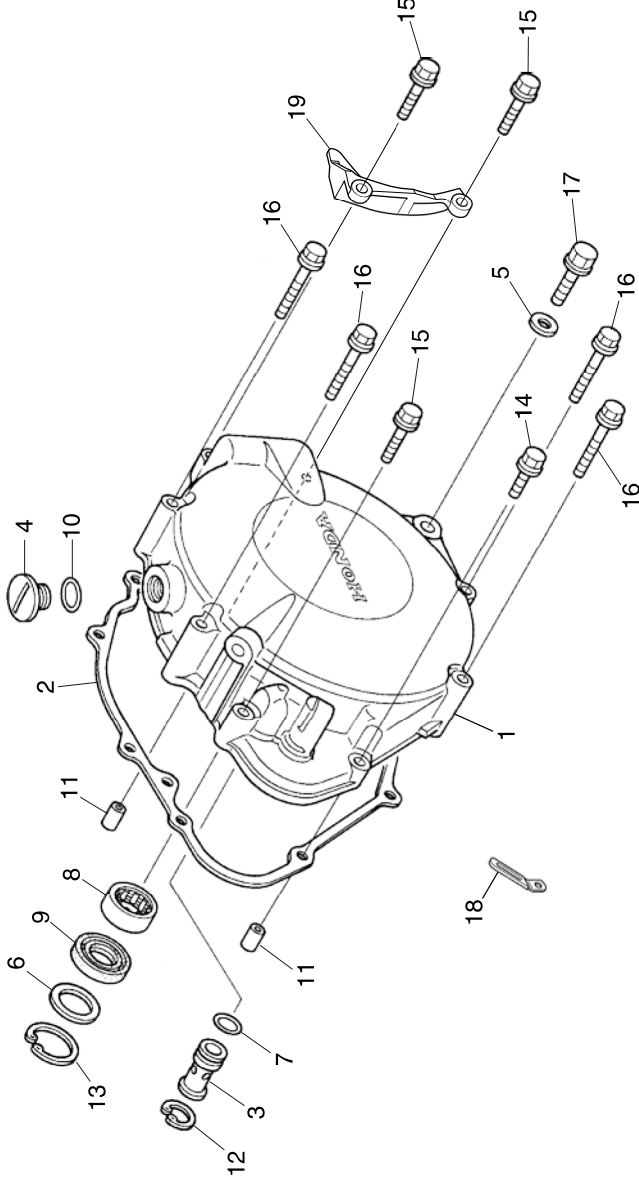


Block No.

E-9

LH. Crankcase cover



No.	Part Number	Description	Qty.	FRT	No.	Part Number	Description	Qty.	FRT
1	11340-NN4-010	COVER COMP, LH. CRANK CASE	1	0.3	17	96300-08035-00	BOLT, FLANGE, DR, 8X35	1	—
2	11395-NN4-000	GASKET, LH. COVER	1	0.3	18	91410-KT7-000	CLIP, 4X60	1	—
3	15220-MEB-770	VALVE ASSY, RELIEF	1	—	19	23811-NN4-N10	PROTECTOR SPKT, DRIVEN	1	—
4	90084-428-000	CAP, ACG	1	—					
5	90441-ME9-000	WASHER, SEALING 8mm	1	—					
6	90454-GF9-000	WASHER, 20.2mm	1	—					
7	90751-GK1-003	O-RING 8.5X1.7	1	—					
8	91008-NN4-003	BEARING, NEEDLE 15X25X12	1	—					
9	91202-NN4-003	OIL SEAL, 15X26X5	1	—					
10	91303-377-000	O-RING, 13.8X2.5	1	—					
11	94301-08100	PIN, DOWEL 8X10	2	—					
12	94520-14000	CIRCLIP, IN, 14	1	—					
13	94520-28000	CIRCLIP, IN, 28	1	—					
14	96001-06028-00	BOLT, FLANGE, 6X28	1	—					
15	96001-06035-00	BOLT, FLANGE, 6X35	3	—					
16	96001-06050-00	BOLT, FLANGE, 6X50	4	—					