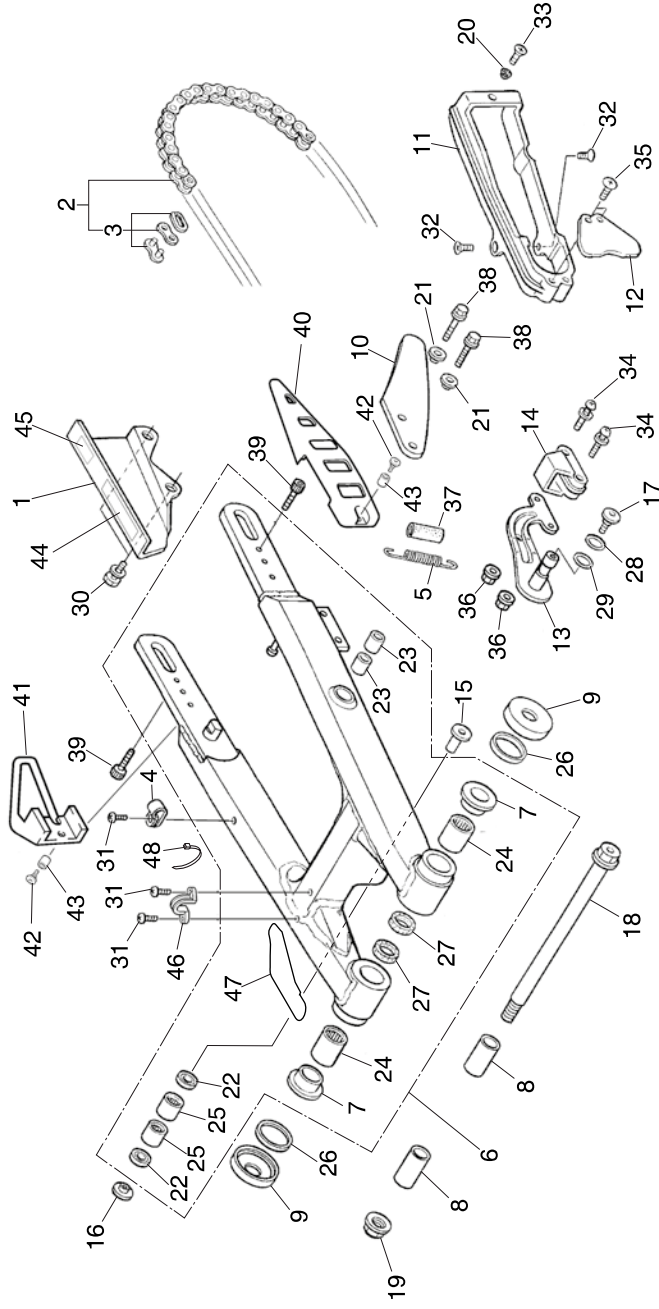


**Block No.**  
**F-19**  
**Swingarm**



No.	Part Number	Description	Qty.	FRT	No.	Part Number	Description	Qty.	FRT
1	40510-NN3-000	CASE, DRIVE CHAIN.....	1	0.2	17	90102-GM2-000	BOLT, CHAIN TENSOR.....	1	—
2	40530-NN2-000	CHAIN, DRIVE.....	1	0.2	18	90117-NN4-000	BOLT, SWINGARM PIVOT.....	1	—
3	40531-NN2-000	JOINT, DRIVE CHAIN.....	1	0.1	19	90201-GC4-000	NUT, FLANGE 14mm.....	1	—
4	90602-NN4-C10	CLIP SPDMT. CABLE (UC-3B).....	1	—	20	90502-NN4-000	WASHER SPL.....	1	—
5	46514-KY2-700	SPRING, BRAKE PEDAL RETURN.....	1	—	21	90503-KRN-000	WASHER, FENDER SETTING.....	2	—
6	52100-NN4-L80	SWINGARM ASSY. POLISHED.....	1	1.0	22	91051-NN1-000	SEAL, BEARING 15X21X3.....	2	0.3
7	52109-KA4-701	BUSH, PIVOT THRUST.....	2	1.1	23	91052-NN0-000	BUSH, CHAIN TENSIONER.....	2	0.3
8	52141-NN2-000	COLLAR, RR FORK.....	2	1.1	24	91071-MA0-003	BEARING, PIVOT.....	2	1.1
9	52144-KA3-731	CAP, DUST SEAL.....	2	1.0	25	91071-NN1-000	BEARING, NEEDLE 15X21X12.....	2	0.3
10	52157-NN4-J10	PROTECTOR, SPRKT.....	1	0.1	26	91253-KA3-731	DUST SEAL 20X2.6X4.5.....	2	1.0
11	52170-NN4-000	SLIDER, CHAIN.....	1	1.0	27	91254-KS6-003	O-RING, 9.8X2.4.....	2	1.0
12	52171-NN3-000	COVER, SPRKT.....	1	0.1	28	91305-422-000	O-RING, 13.8X2.4.....	1	—
13	52181-NN4-000	TENSIONER COMP., CHAIN.....	1	0.2	29	91362-ZC3-000	BOLT-WASH, 6X14.....	1	—
14	52182-NN3-000	SLIPPER, CHAIN TENS.....	1	0.2	30	93404-06014-00	SCREW, PAN 5X8.....	2	—
15	52463-NN3-010	COLLAR L., CUSH RINK.....	1	—	31	90104-ML7-920	SCREW, FLAT 5X12.....	3	—
16	52464-NN3-010	COLLAR R., CUSH RINK.....	1	—	32	93600-05012-0G	SCREW, FLAT 5X12.....	2	—