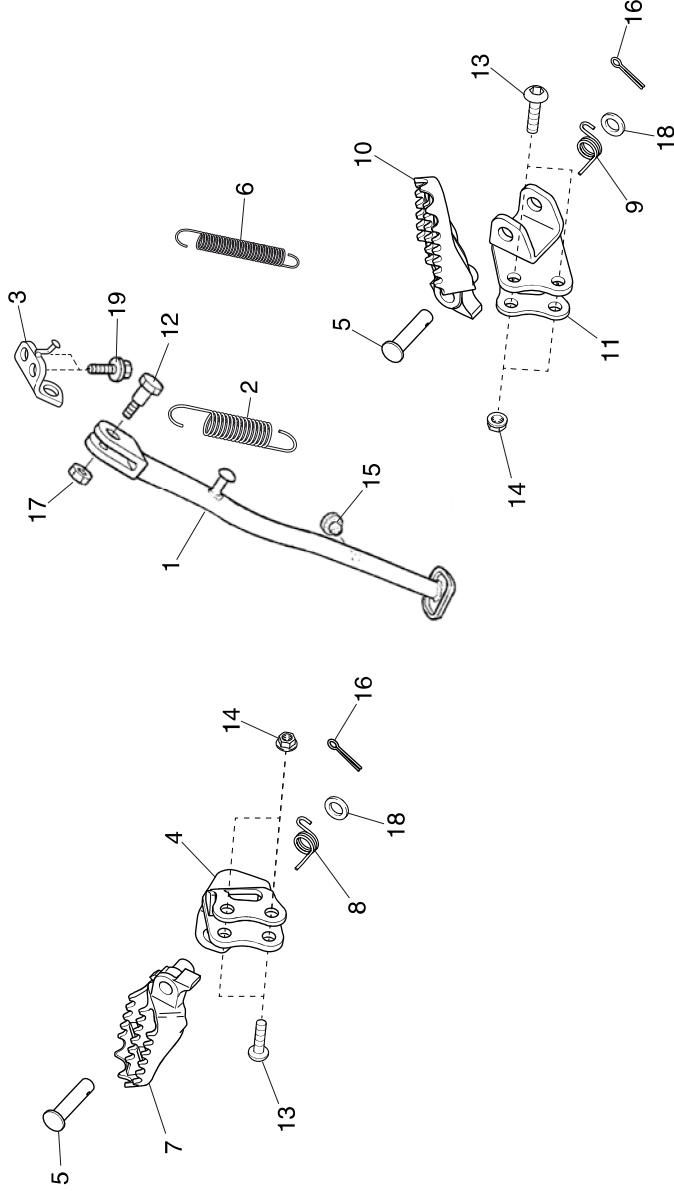


**Block No.**  
**F-18**  
**Stand**  
**Step**



No.	Part Number	Description	Qty.	FRT	No.	Part Number	Description	Qty.	FRT
1	50530-NN4-M80	BAR COMP, SIDE STAND BLACK.....	1	0.2	17	90203-MF9-710	NUT, HEX 10mm.....	1	—
2	50541-MBL-610	EXTERNAL SPRING, SIDE STAND.....	1	0.1	18	50604-NN4-L80	WASHER, PLAIN 8mm.....	2	—
3	50536-NN4-M80	BRACKET, SIDE STAND.....	1	—	19	96300-08025-00	BOLT, FLANGE DR 8X25.....	2	—
4	50600-NN4-L80	BRKT COMP, R. STEP.....	1	—					
5	50603-NN4-L80	PIN, P. STEP BAR.....	2	—					
6	50542-MBL-610	INTERNAL SPRING, SIDE STAND.....	1	0.1					
7	50616-NN4-L80	STEP RH.....	1	0.1					
8	50617-NN4-L80	SPRING RH., STEP RETURN.....	1	—					
9	50618-NN4-L80	SPRING LH., STEP RETURN.....	1	—					
10	50642-NN4-L80	STEP RH.....	1	0.1					
11	50700-NN4-L80	BRACKET COMP., L. STEP.....	1	—					
12	90108-MK6-670	BOLT SIDE STAND PIVOT.....	1	—					
13	90128-428-020	BOLT, SOCKET 8X33.....	4	—					
14	90309-KFO-003	NUT, FLANGE 8mm.....	4	—					
15	50354-428-000	STOPPER, RUBBER B.....	1	—					
16	94201-25250	PIN, SPLIT 2.5x25.....	2	—					