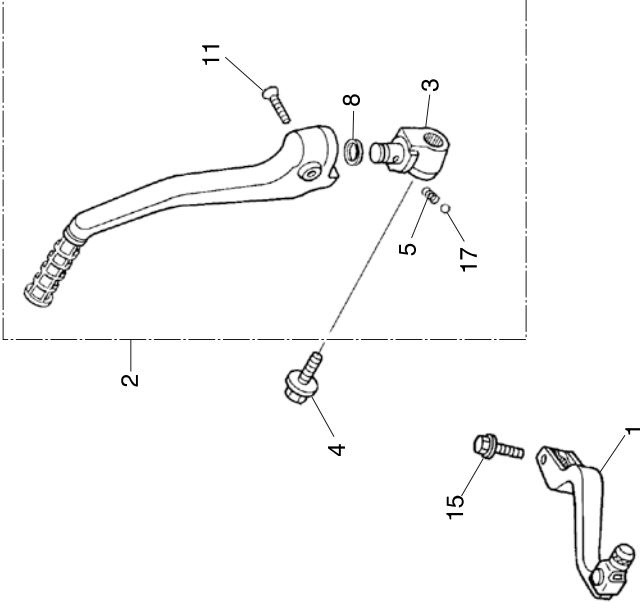
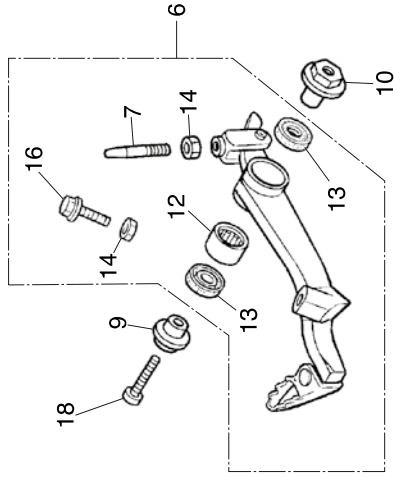


Block No.

F-17

Pedal
Kick starter arm



No.	Part Number	Description	Qty.	FRT	No.	Part Number	Description	Qty.	FRT
1	24700-N14-K10	PEDAL COMP., CHANGE.....	1	0.1	17	96211-08000	STEEL BALL 8.....	1	—
2	28300-N14-000	ARM ASSY., KICKSTARTER	1	—	18	96700-08032-10	BOLT, SOCKET 8X32.....	1	—
3	28302-N14-000	JOINT, KICK ARM.....	1	—					
4	28306-MEN-670	BOLT.....	1	—					
5	28333-KK0-000	SPRING, KICKSTARTER ARM SET.....	1	—					
6	46500-N14-000	PEDAL ASSY., RR BRAKE.....	1	0.1					
7	46521-N14-000	ROD, BRAKE.....	1	—					
8	46525-KK0-003	DUST SEAL 17X2.0X2.5.....	1	—					
9	46531-N14-000	COLLAR A, RR BRAKE.....	1	—					
10	46532-N14-000	COLLAR B, RR BRAKE.....	1	—					
11	90101-MAC-680	BOLT.....	1	0.1					
12	91001-GG2-003	BEARING, NEEDLE 12X18X12.....	1	—					
13	91201-951-003	OIL SEAL, 12X18X3.....	2	—					
14	94001-06000-0S	NUT, HEX 6mm.....	2	—					
15	96001-06022-00	BOLT, FLANGE SH 6X22.....	1	—					
16	96001-06025-00	BOLT, FLANGE SH 6X25.....	1	—					