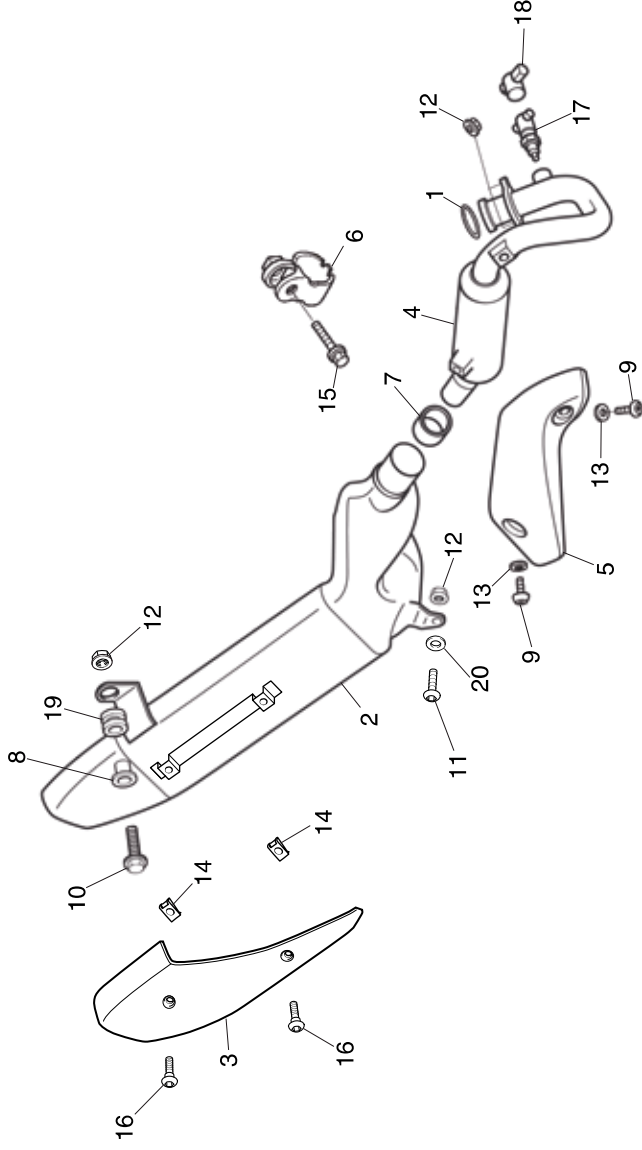


**Block No.**  
**F-16**  
Exhaust muffler



| No. | Part Number    | Description                 | Qty. | FRT | No. | Part Number    | Description             | Qty. | FRT |
|-----|----------------|-----------------------------|------|-----|-----|----------------|-------------------------|------|-----|
| 1   | 18291-NN4-000  | GASKET, EXHAUST PIPE.....   | 1    | 0.3 | 17  | 36532-GFC-771  | O2 SENSOR .....         | 1    | —   |
| 2   | 18310-NN4-L80  | SILINCR COMP. EXHAUST ..... | 1    | 0.4 | 18  | 18383-NN4-G10  | COVER O2 SENSOR .....   | 1    | —   |
| 3   | 83510-NN4-L80  | COVER RH. SIDE .....        | 1    | —   | 19  | 18332-NN4-G10  | RUBBER.....             | 1    | —   |
| 4   | 18320-NN4-L80  | EXHAUST PIPE COMP. ....     | 1    | 0.3 | 20  | 90512-921-0100 | WASHER, PLAIN 6mm ..... | 1    | —   |
| 5   | 18323-NN4-M10  | PROTECTOR EXHAUST PIPE..... | 1    | —   |     |                |                         |      |     |
| 6   | 18371-KCR-000  | BANC, MUFFLER .....         | 1    | —   |     |                |                         |      |     |
| 7   | 18391-HB7-000  | PACKING MUFLER .....        | 1    | 0.4 |     |                |                         |      |     |
| 8   | 19052-MAC-680  | COLLAR .....                | 2    | —   |     |                |                         |      |     |
| 9   | 90108-KGB-610  | BOLT 6X8 .....              | 2    | —   |     |                |                         |      |     |
| 10  | 90115-MAS-E00  | SPECIAL BOLT 6X37 .....     | 1    | —   |     |                |                         |      |     |
| 11  | 90106-NN4-J10  | SCREW PAN 6X23 .....        | 1    | —   |     |                |                         |      |     |
| 12  | 94050-06000    | NUT, FLANGE 6mm.....        | 4    | —   |     |                |                         |      |     |
| 13  | 94101-06000    | WASHER, PLAIN 6mm.....      | 2    | —   |     |                |                         |      |     |
| 14  | 90320-GE2-760  | NUT SPRING.....             | 2    | —   |     |                |                         |      |     |
| 15  | 96300-08028-00 | BOLT, FLANGE DR 8X28.....   | 1    | —   |     |                |                         |      |     |
| 16  | 90114-MCH-000  | SCREW, PAN 6x15 .....       | 2    | —   |     |                |                         |      |     |