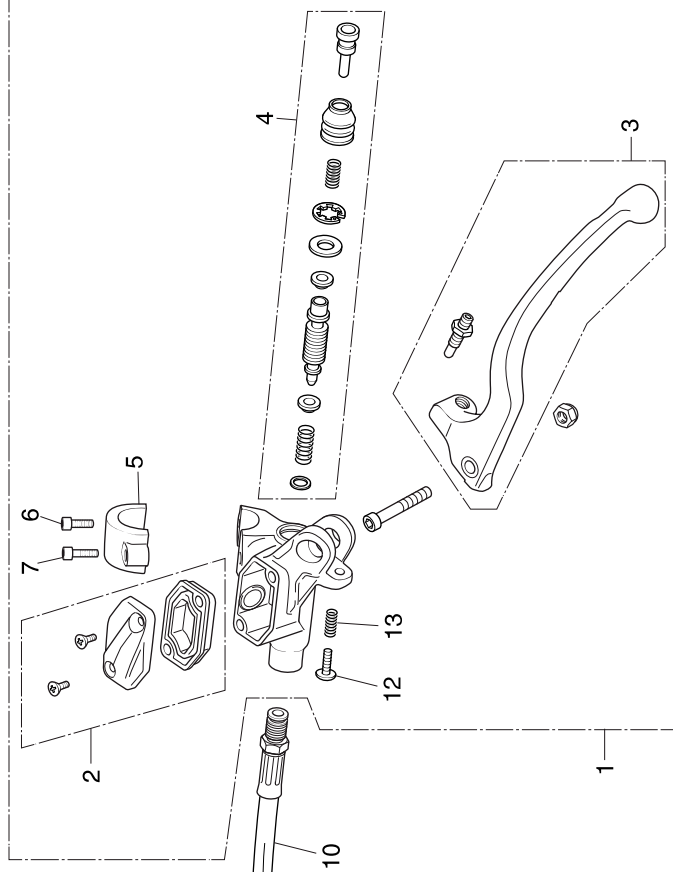


Block No.
F-3
Clutch master cylinder



No.	Part Number	Description	Qty.	FRT	No.	Part Number	Description	Qty.	FRT
1	22880-NN4-J11	M/C ASSY, CLUTCH	1	0.4*					
2	22883-NN4-J10	TANK CAP ASSY	1	—					
3	53180-NN4-J10	LEVER ASSY	1	0.1					
4	22886-NN4-J10	PISTON SET, CLUTCH	1	—					
5	22882-NN4-J10	HOLDER, M/C	1	—					
6	90088-NN4-J10	BOLT, SOCKET 5X16	1	—					
7	90089-NN4-J10	BOLT, SOCKET 5X20	1	—					
8	90145-NN4-J10	OIL BOLT, 10X21	1	—					
9	90545-NN4-J10	WASHER, OIL BOLT	2	—					
10	22900-NN4-J11	HOSE, CLUTCH	1	0.4*					
11	90658-NN4-J10	CLIP	1	—					
12	53172-NN4-J30	BOLT	1	—					
13	53173-NN4-J30	SPRING	1	—					

* INCLUDES: Bleed brakes