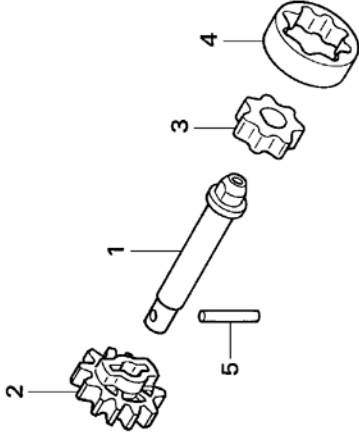


Block No.
E-7
Oil pump



No.	Part Number	Description	Qty.	FRT	No.	Part Number	Description	Qty.	FRT
1	15111-NN4-000	SHAFT, OIL PUMP.....	1	3.1*					
2	15133-NN4-000	GEAR, OIL PUMP DRIVEN.....	1	0.3					
3	15331-324-000	ROTOR INNER OIL PUMP.....	1	3.1*					
4	15332-324-000	ROTOR OUTER OIL PUMP.....	1	3.1*					
5	96220-30178	ROLLER, 3X17.8.....	1	—					

* INCLUDES: Engine removal and installation