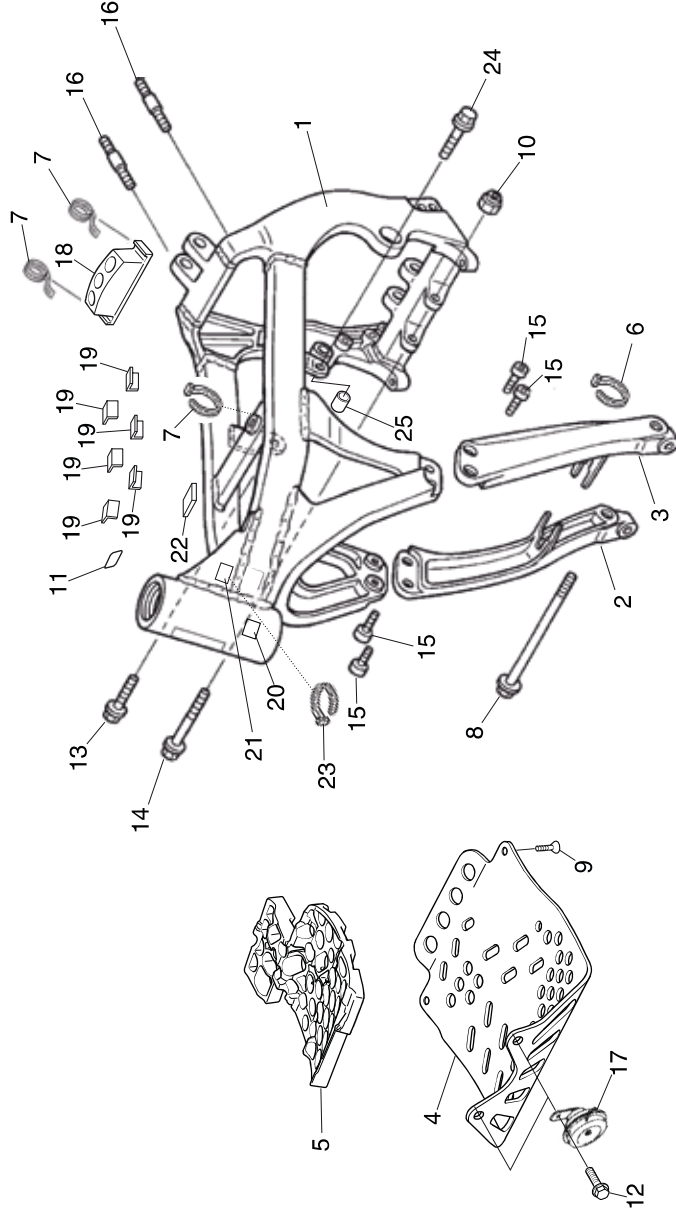


Block N.°
F-23
Frame body



No.	Part Number	Description	Qty.	No.	Part Number	Description	Qty.
1	50100-NN4-J10	FRAME BODY COMP. (ED/3ED)	1	14	96400-10085-00	BOLT, FLANGE DR 10X85	1
	50100-NN4-J20	FRAME BODY COMP. (2ED/4ED)	1	15	90116-NN4-H00	SOCKET BOLT, 8X19	4
2	50310-NN4-H00	TUBE RH., DOWN (ED/3ED)	1	16	92900-06022-0B	STUD 2. 6X22	2
	50310-NN4-H10	TUBE RH., DOWN (2ED/4ED)	1	17	38110-NN4-C10	HORN (ED/2ED)	1
3	50320-NN4-H00	TUBE LH., DOWN (ED/3ED)	1	18	80121-NN4-P10	PROTECTOR RUBBER	1
	50320-NN4-H10	TUBE LH., DOWN (2ED/4ED)	1	19	17506-NN4-000	RUBBER, FUEL TANK	6
4	50351-NN4-N10	PLATE, SKID	1	20	87501-NN4-G10	MARK CE STICKER	1
5	50352-NN4-P10	RUBBER A, ENG CUSH.	1	21	90604-NN4-P10	AUTOADHESIVE BASE	1
6	90602-NN4-600	TIE-BAND 150 MM	1	22	17513-NN3-300	FUEL TANK PROTECTOR	1
7	61312-NN2-900	TIE-BAND	1	23	90603-NN4-C10	TIE-BAND 95mm	1
8	90119-MJ0-000	BOLT, FLANGE 10X130	1	24	96300-08032-00	BOLT, FLANGE 8X32	1
9	90125-NN2-900	SCREW, FLANT 8X20	2	25	50343-NN3-000	COLLAR UP ENG HANGER	1
10	90304-GA6-003	NUT, AXLE	1				
11	86150-NN4-K10	EMBLEM, PRODUCT	1				
12	93405-08020-00	BOLT-WASHER 8X20	2				
13	96300-08018-00	BOLT, FLANGE DR 8X18	1				