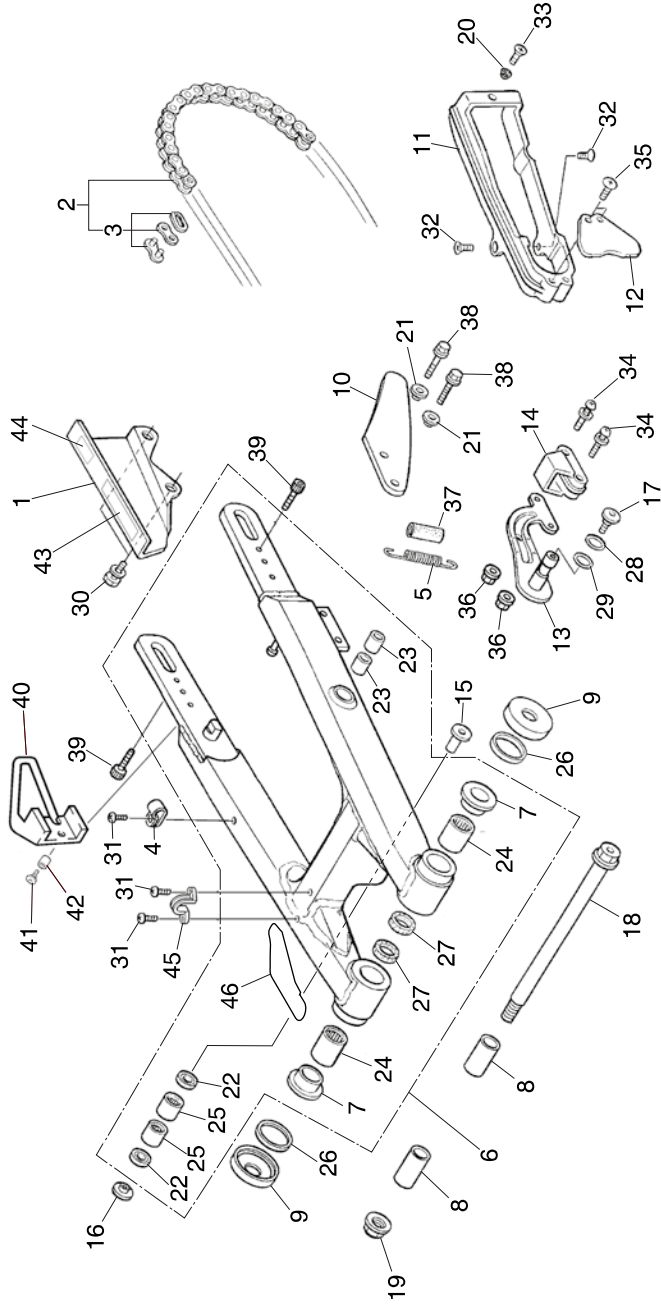


Block N.º  
**F-19**  
Swingarm



No.	Part Number	Description	Qty.	No.	Part Number	Description	Qty.
31	90104-ML7-920	SCREW, PAN 5X8	3				
32	93600-05012-0G	SCREW, FLAT 5X12	2				
33	93600-05016-0G	SCREW, FLAT 5X16	1				
34	90003-NN4-J10	SCREW 5X20	2				
35	93913-15280	SCREW, TAPPING 5X12	2				
36	94050-05000	NUT, FLANGE 5mm	2				
37	95003-43004-20	V.TUBE, 13X15X40	1				
38	96001-06012-00	BOLT, FLANGE SH 6X12	2				
39	96600-06010-10	BOLT, SOCKET 6X10	2				
40	50535-NN4-600	PROTECTOR, REAR BRAKE (ED)	1				
41	90111-NN4-600	BOLT SOCKET 6X12 (ED)	1				
42	90504-NN4-600	COLLAR (ED)	1				
43	87505-NN4-L10	LABEL, TIRE (ED/2ED)	1				
44	87507-NN4-H10	LABEL, DRIVE CHAIN	1				
45	43468-KZ3-B00	CLIP, RR BRK HOSE	1				
46	52143-NN4-J10	TAPE SWINGARM RR	1				