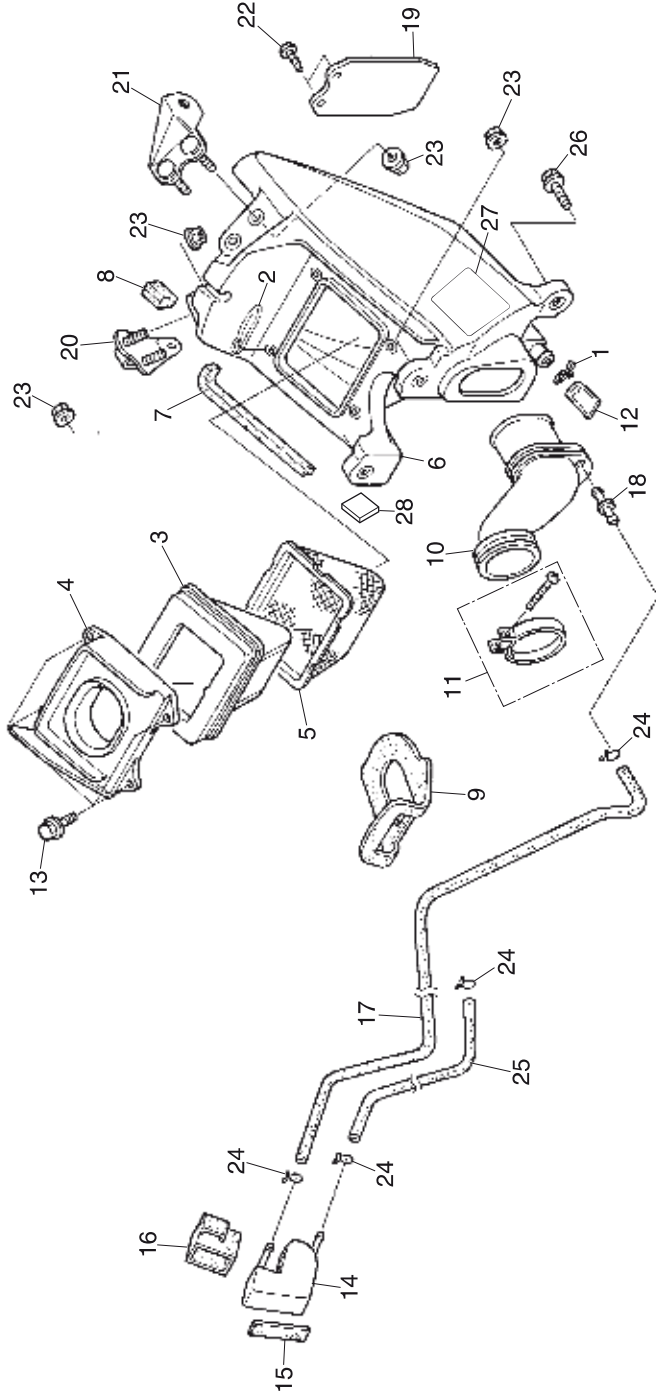


Block N.º
F-15
Air cleaner



No.	Part Number	Description	Qty.	No.	Part Number	Description	Qty.
1	15707-634-000	CLIP, BREATHER TUBE	1	17	17554-NN4-000	TUBE, BREATHER A	1
2	90602-NN4-600	TIE-BAND 150mm.....	1	18	55102-166-000	JOINT, OIL TUBE	1
3	17211-NN4-P10	ELEMENT, AIR/C.....	1	19	80110-NN3-000	MUD GUARD	1
4	17212-NN4-000	CAP, AIR/C CASE.....	1	20	80111-NN4-G10	STAY R., RR FENDER	1
5	17213-NN4-000	TRAP COMP., FLAME	1	21	80112-NN4-D00	STAY L., RR FENDER	1
6	17230-NN4-H00	CASE COMP., AIR/C	1	22	93913-14180	SCREW, TAPPING 4X10	2
7	17231-NN4-300	SEAL A, AIR/C CASE	1	23	94050-06000	NUT, FLANGE 6mm	6
8	17232-NN4-300	SEAL B, AIR/C CASE	1	24	95002-02100	CLIP B10, TUBE.....	4
9	17236-NN3-830	AIR GUARD	1	25	95005-55225-20	TUBE, 5,3X225.....	1
10	17253-NN4-000	TUBE, AIR/C CONN.....	1	26	95701-06025-00	BOLT, FLANGE 6X25.....	1
11	17255-KRJ-900	BAND, AIR/C CONNECTING TUBE.....	1	27	87560-NN4-K40	CAUTION LABEL (3ED/4ED) (ENGLISH).....	1
12	17358-NN2-000	TUBE, DRAIN	1	28	87560-NN4-L30	CAUTION LABEL (3ED/4ED) (FRENCH)	1
13	90108-GK1-000	BOLT, FLANGE SH 6X12	4				
14	17551-NN4-000	TANK, STORAGE	1				
15	17552-NN4-000	RUBBER, STORAGE TANK.....	1				
16	17553-NN4-000	CUSHION, STORAGE TANK.....	1				