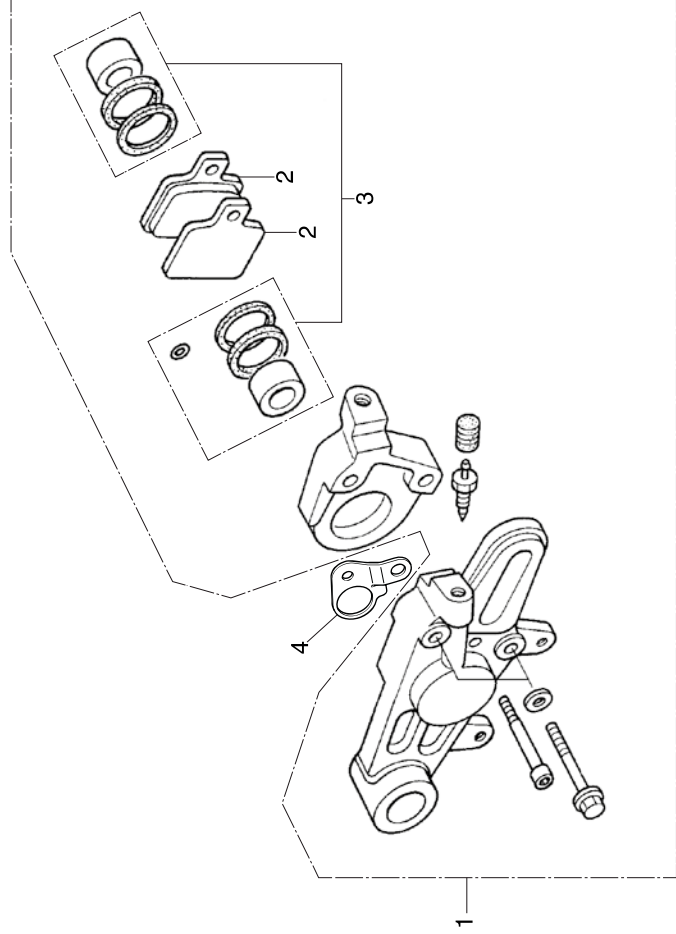


Block N.º  
**F-10**  
Rear brake caliper



No.	Part Number	Description	Qty.	No.	Part Number	Description	Qty.
1	43100-NN4-N30	CALIPER ASSY., RR.....	1				
2	43105-NN3-830	PAD COMP., RR.....	2				
3	43120-NN3-305	PISTON SET, RR CALIPER.....	1				
4	37715-NN4-J10	PLATE, SPEED SENSOR (ED/2ED).....	1				
	37715-NN4-P10	PLATE, SPEED SENSOR (2ED/4ED).....	1				