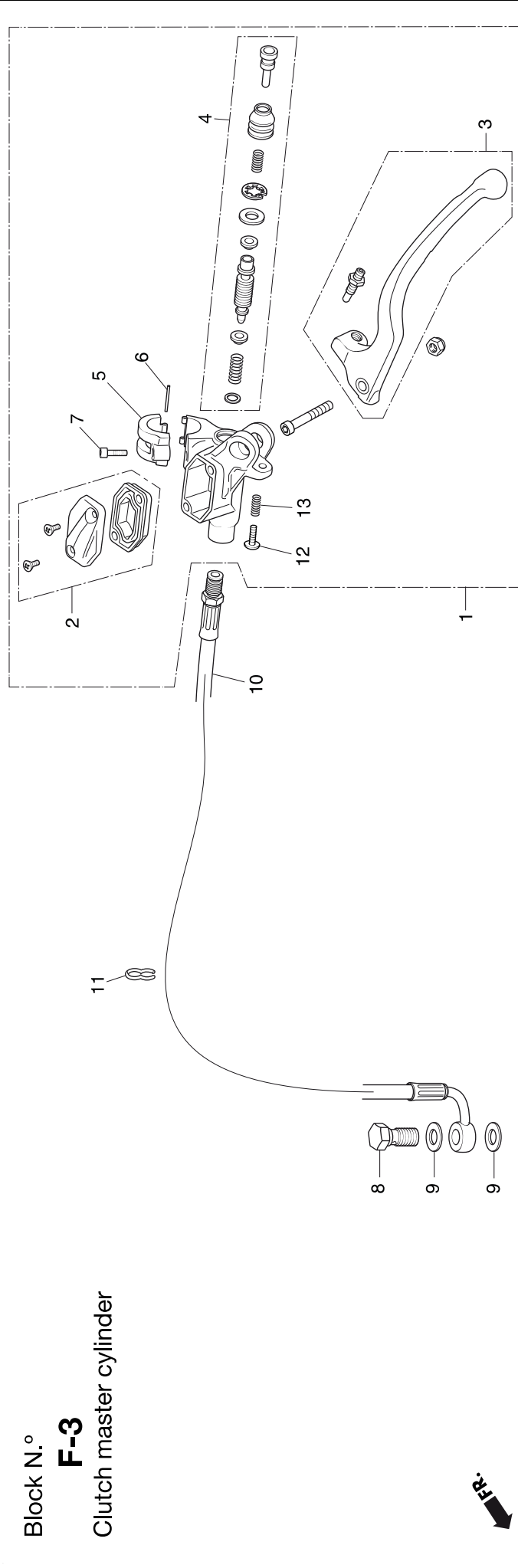


Block N.°
F-3
Clutch master cylinder



No.	Part Number	Description	Qty.	No.	Part Number	Description	Qty.
1	22880-NN4-N10	M/C ASSY., CLUTCH	1				
2	22883-NN4-J10	TANK CAP	1				
3	53180-NN4-J10	LEVER ASSY	1				
4	45530-NN4-N10	PISTON SET, CLUTCH	1				
5	22882-NN4-L60	CLUTCH LEVER HOLDER	1				
6	90089-NN4-L60	PIN HOLDER	1				
7	90088-NN4-J10	BOLT, SOCKET 5X16	1				
8	90145-NN4-J10	OIL BOLT, 10X21	1				
9	90545-NN4-J10	WASHER, OIL BOLT	2				
10	22900-NN4-J11	HOSE, CLUTCH	1				
11	90658-NN4-J10	CLIP	1				
12	53172-NN4-J30	BOLT	1				
13	53173-NN4-J30	SPRING	1				