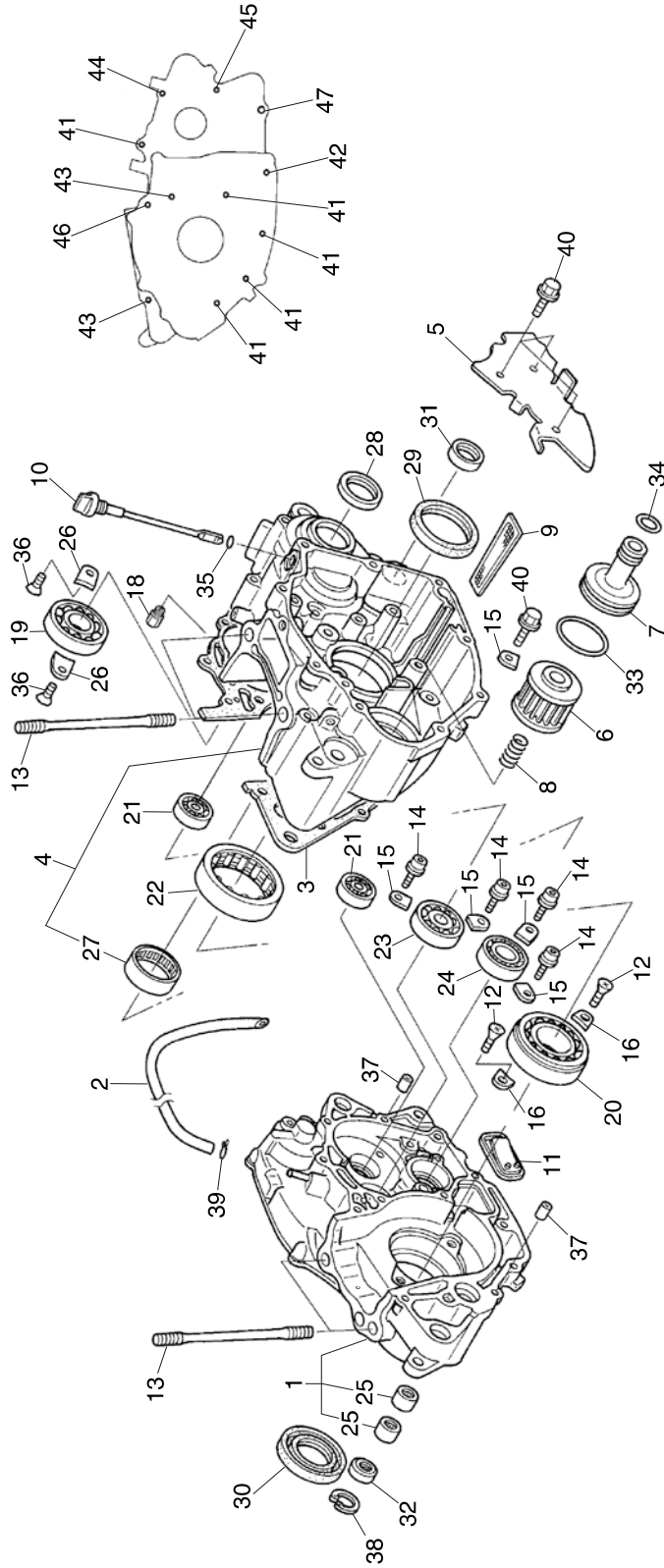


Block N.º
E-11
Crankcase



No.	Part Number	Description	Qty.	No.	Part Number	Description	Qty.
1	11100-NN4-B00	CRANKCASE COMP, RIGHT	1	17	90441-ME9-000	WASHER, SEALING 8mm	1
2	11105-NN4-000	TUBE, BREATHER	1	18	90901-NN4-P60	OIL JET #225	1
3	11191-NN4-000	GASKET, CRANKCASE	1	19	91001-KA3-711	BEARING, BALL, 6204	1
4	11200-NN4-G00	CRANKCASE COMP, LEFT	1	20	91001-KRN-671	BEARING, BALL RADIAL 30X72X16	1
5	11206-NN4-000	PLATE, CAM CHAIN GUIDE	1	21	91001-KZ4-J11	BEARING, BALL RADIAL 17X35X10	2
6	15412-MEN-671	FILTER COMP, ENGINE OIL	1	22	91002-NN4-003	BEARING, ROLLER SPL	1
7	15412-NN4-000	COVER, OIL FILTER	1	23	91004-KRN-671	BEARING, BALL RADIAL 22X47X14	1
8	15414-MEB-670	SPRING, OIL FILTER	1	24	91004-KY4-900	BEARING, BALL RADIAL 6905U	1
9	15421-NN4-000	SCREEN, OIL FILTER	1	25	91006-HA0-003	BEARING, NEEDLE 9mm	2
10	15650-NN4-000	GAUGE, OIL LEVEL	1	26	91012-KA3-710	PLATE, C-SHAFT BEARING	2
11	18601-MBW-003	REED VALVE COMP	1	27	91022-KA4-740	BEARING, SHELL 33X38X8	1
12	90003-KRN-670	SCREW, FLAT SPL 6X12	2	28	91201-KS6-004	OIL SEAL, 26X37X7	1
13	90031-NN4-000	BOLT, STUD 10X110	4	29	91201-MEB-671	OIL SEAL, 35X52X7	1
14	90071-MF5-000	BOLT, SOCKET FLANGE 6X14	4	30	91202-MEB-671	OIL SEAL, 39X56X7	1
15	90441-KA4-700	PLATE, BEARING HOLD	5	31	91203-KA4-771	OIL SEAL, 14X22X5	1
16	90441-KRN-670	PLATE, BEARING HOLD	2	32	91204-HB3-004	OIL SEAL, 9X18X5	1