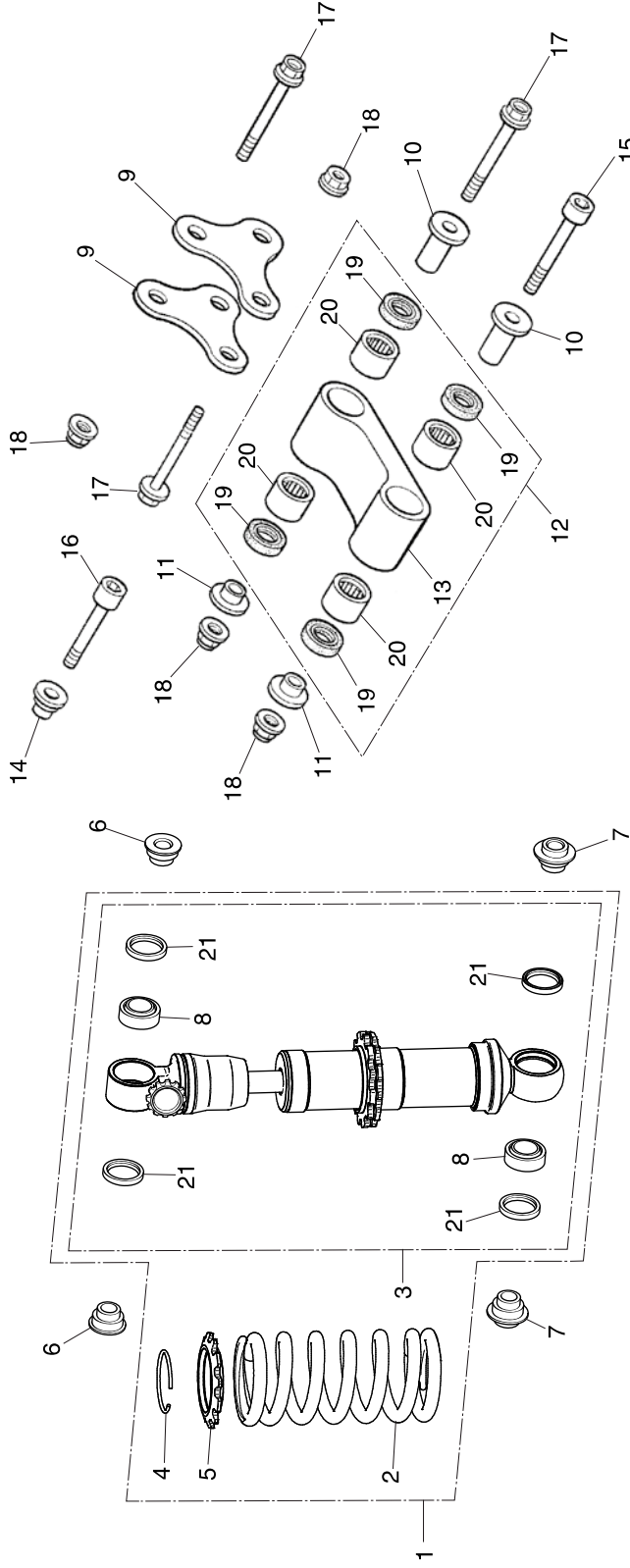


Block N.º
F-20 (ED/3ED)
Rear cushion (R16V)



No.	Part Number	Description	Qty.	No.	Part Number	Description	Qty.
1	52400-NN4-K11	CUSHION ASSY RR.....	1	17	90182-NN3-000	BOLT, FLANGE 10X57	3
2	52401-NN4-J10	SPRING RR CUSHION.....	1	18	90304-GA6-003	NUT, AXLE.....	5
3	52410-NN4-K10	DAMPER COMP. RR	1	19	91051-NN1-000	SEAL, BEARING 15X21X3	4
4	52435-NN4-J10	RING, STOPPER	1	20	91071-NN1-000	BEARING, NEEDLE 15X21X12	4
5	52459-NN4-K10	SPRING NUT	1	21	91351-NN4-J10	DUST SEAL, CUSHION UPPER.....	4
6	52486-NN4-J10	UPPER COLLAR, CUSH ARM	2				
7	52462-NN4-J10	BOTTOM COLLAR, CUSH ARM.....	2				
8	91074-NN4-J10	BEARING, SPHERICAL	2				
9	52461-NN3-000	ARM, CUSH	2				
10	52463-NN3-010	COLLAR L., CUSH RINK.....	2				
11	52464-NN3-010	COLLAR R., CUSH RINK	2				
12	52470-NN3-000	ROD ASSY., CUSH CONN	1				
13	52471-NN3-000	ROD, CUSH CONN.....	1				
14	52486-NN3-000	COLLAR, CUSH UP	2				
15	90120-NN3-000	BOLT, SOCKET 10X57	1				
16	90121-NN4-000	BOLT, SOCKET 10X45	1				