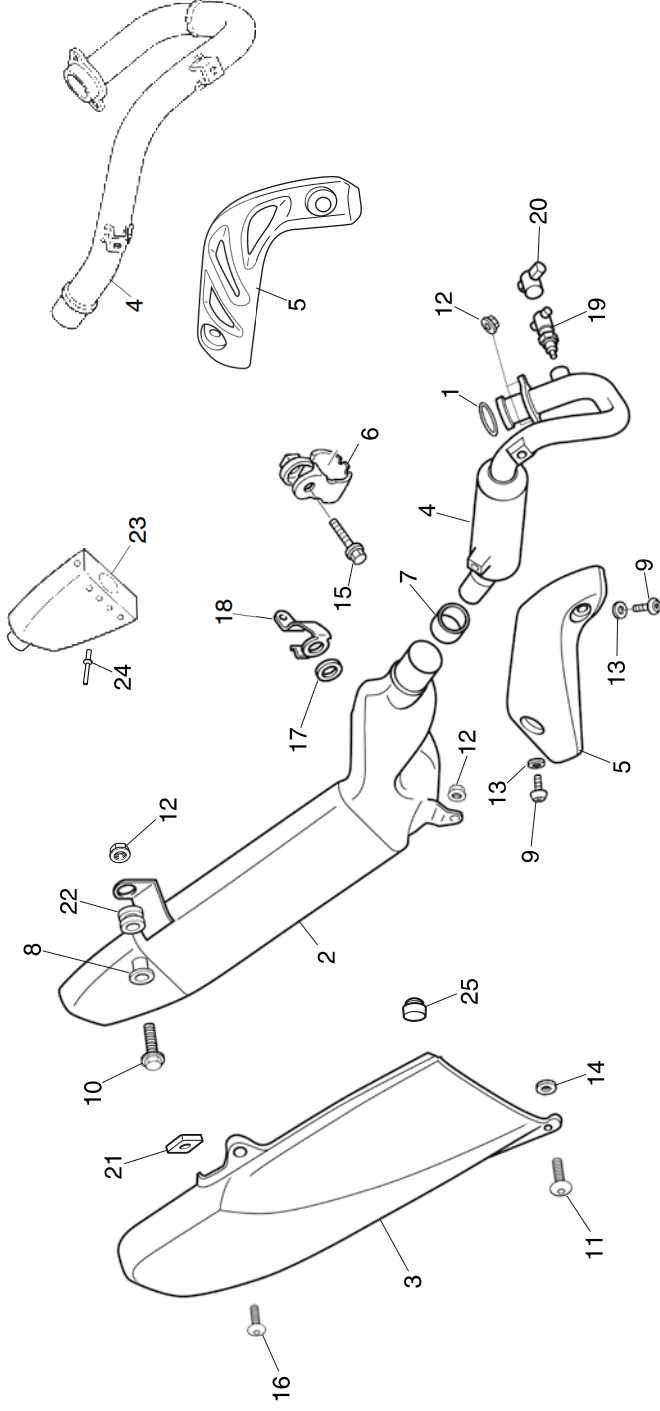


Block N.º  
**F-16**  
Exhaust muffler



No.	Part Number	Description	Qty.	No.	Part Number	Description	Qty.
1	18291-NN4-000	GASKET, EXHAUST PIPE .....	1	14	90512-921-0100	WASHER, PLAIN 6mm .....	1
2	18310-NN4-G10	SILINCR COMP. EXHAUST (ED/2ED) .....	1	15	96300-08028-00	BOLT, FLANGE DR 8X28 .....	1
	18310-NN4-L40	SILINCR COMP. EXHAUST (3ED/4ED) .....	1	16	90107-NN4-J10	SCREW, PAN 6x15 .....	1
3	83510-NN4-J10	COVER RH. SIDE .....	1	17	83551-GE2-000	RUBBER SIDE COVER .....	1
4	18320-NN4-L80	EXHAUST PIPE COMP. (ED/2ED) .....	1	18	80113-NN4-G10	STAY SIDE COVER .....	1
5	18330-NN4-G10	EXHAUST PIPE COMP. (3ED/4ED) .....	1	19	36532-GFC-771	O2 SENSOR .....	1
	18323-NN4-M10	PROTECTOR EXHAUST PIPE (ED/2ED) .....	1	20	18383-NN4-G10	COVER O2 SENSOR .....	1
	18323-NN4-000	PROTECTOR EXHAUST PIPE (3ED/4ED) .....	1	21	83515-KZ3-700	RUBBER SIDE COVER .....	1
6	18371-KCR-000	BANC, MUFFLER .....	1	22	18332-NN4-G10	RUBBER .....	1
7	18391-HB7-000	PACKING MUFFLER .....	1	23	18338-NN4-L40	CAP COMP END .....	1
8	19052-MAC-680	COLLAR .....	2	24	18326-NN4-G10	RIVET., BLIND 4.0 .....	5
9	90108-KGB-610	BOLT 6X8 .....	2	25	83512-KA4-700	RUBBER .....	1
10	90115-MAS-E00	SPECIAL BOLT 6X37 .....	1				
11	90106-NN4-J10	SCREW PAN 6X23 .....	1				
12	94050-06000	NUT, FLANGE 6mm .....	4				
13	94101-06000	WASHER, PLAIN 6mm .....	2				