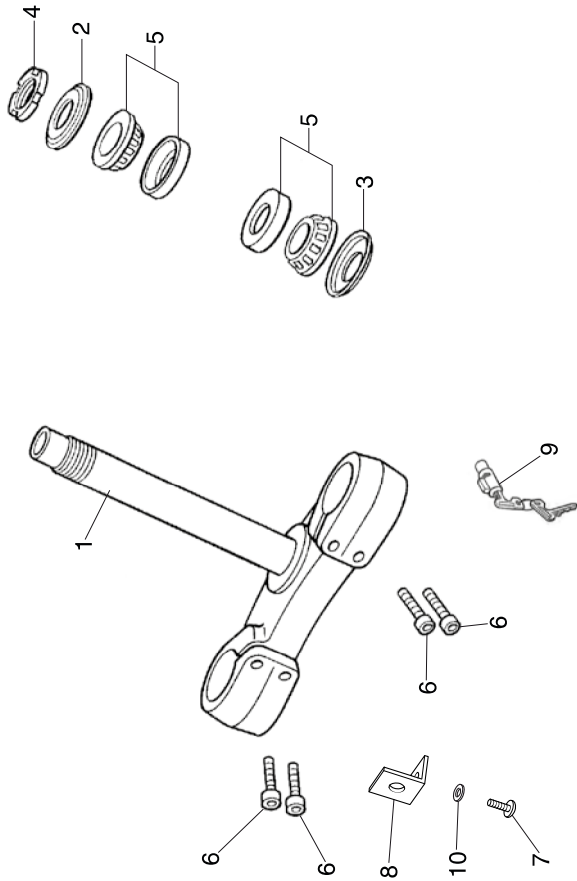


Block N.°
F-5
Steering stem



| No. | Part Number | Description | Qty. | No. | Part Number | Description | Qty. |
|-----|----------------|---------------------------------|------|-----|-------------|-------------|------|
| 1 | 53200-NN4-K10 | STEM COMP., STRG (BLACK) | 1 | | | | |
| 2 | 53214-KCY-670 | DUST SEAL | 1 | | | | |
| 3 | 53214-KA4-701 | DUST SEAL | 1 | | | | |
| 4 | 53229-NN4-G00 | THREAD, STRG | 1 | | | | |
| 5 | 91015-425-831 | BEARING, HEAD PIPE UP | 2 | | | | |
| 6 | 96600-08025-10 | SOCKET BOLT, 8X25 | 4 | | | | |
| 7 | 90114-NN4-C10 | BRAKE PLATE, BOLT | 1 | | | | |
| 8 | 61315-NN4-C10 | HEAD CASE, BRAKE PLATE (ED/2ED) | 1 | | | | |
| 9 | 53600-NN4-J10 | LOCK COMP. HANDLE (ED/2ED) | 1 | | | | |
| 10 | 90525-NN4-C10 | WASHER 5MM (3ED/4ED) | 1 | | | | |