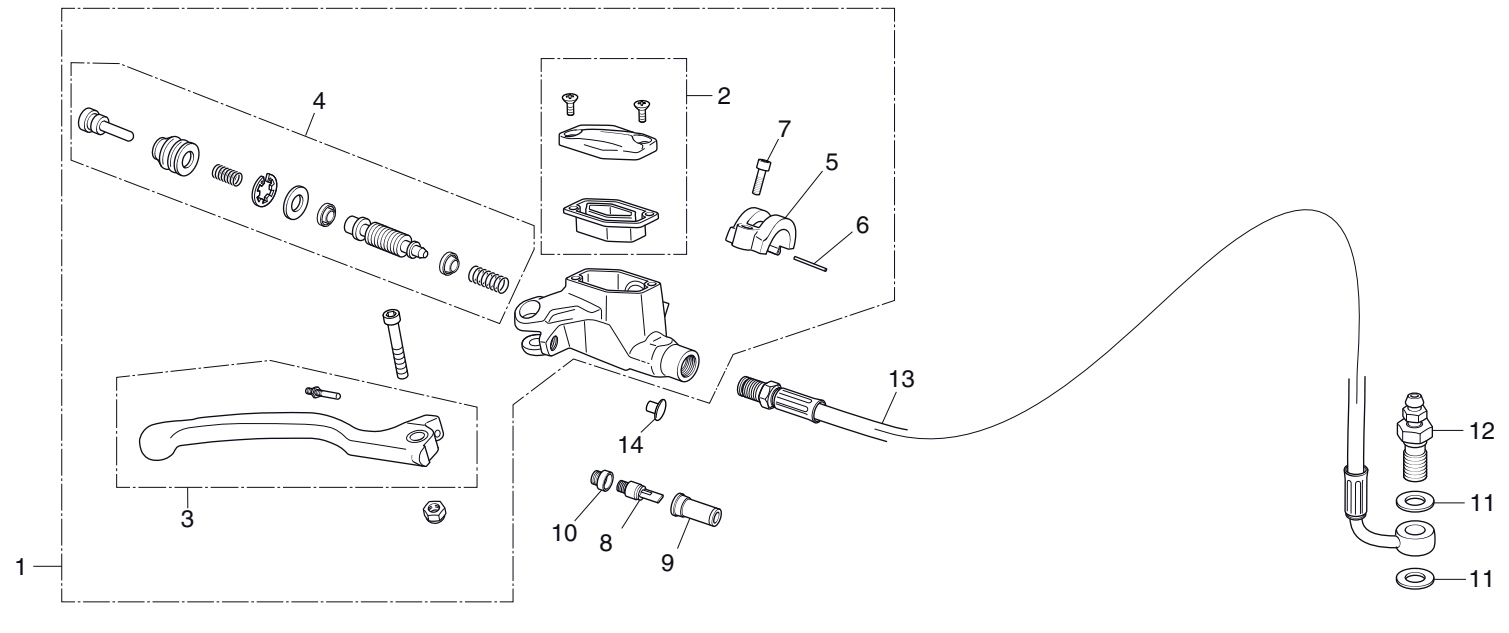


Block N.º  
**F-2**  
 Front brake master cylinder



| No. | Part Number   | Description                               | Qty. | No. | Part Number | Description | Qty. |
|-----|---------------|---|------|-----|-------------|-------------|------|
| 1   | 45500-NN4-N10 | M/C ASSY., FR .....                       | 1    |     |             |             |      |
| 2   | 45540-NN4-J10 | TANK CAP .....                            | 1    |     |             |             |      |
| 3   | 53170-NN4-K20 | LEVER ASSY., RH .....                     | 1    |     |             |             |      |
| 4   | 45530-NN4-J10 | PISTON SET .....                          | 1    |     |             |             |      |
| 5   | 22882-NN4-L60 | BRAKE LEVER HOLDER.....                   | 1    |     |             |             |      |
| 6   | 90089-NN4-L60 | PIN HOLDER.....                           | 1    |     |             |             |      |
| 7   | 90088-NN4-J10 | BOLT, SOCKET 5X16 .....                   | 1    |     |             |             |      |
| 8   | 35350-NN4-600 | SWITCH ASSY. FRONT CALIPER (ED/2ED) ..... | 1    |     |             |             |      |
| 9   | 35351-NN4-600 | RUBBER COVER (ED/2ED).....                | 1    |     |             |             |      |
| 10  | 35343-NN4-N10 | SOCKET FR BRK SW (ED/2ED).....            | 1    |     |             |             |      |
| 11  | 90548-NN4-J10 | WASHER, OIL BOLT .....                    | 2    |     |             |             |      |
| 12  | 90005-NN4-J10 | BLEEDER BOLT M8X100.....                  | 1    |     |             |             |      |
| 13  | 45125-NN4-J11 | HOSE, FR BRAKE.....                       | 1    |     |             |             |      |
| 14  | 35344-NN4-N30 | CAP HOLE, SWITCH (3ED / 4ED).....         | 1    |     |             |             |      |