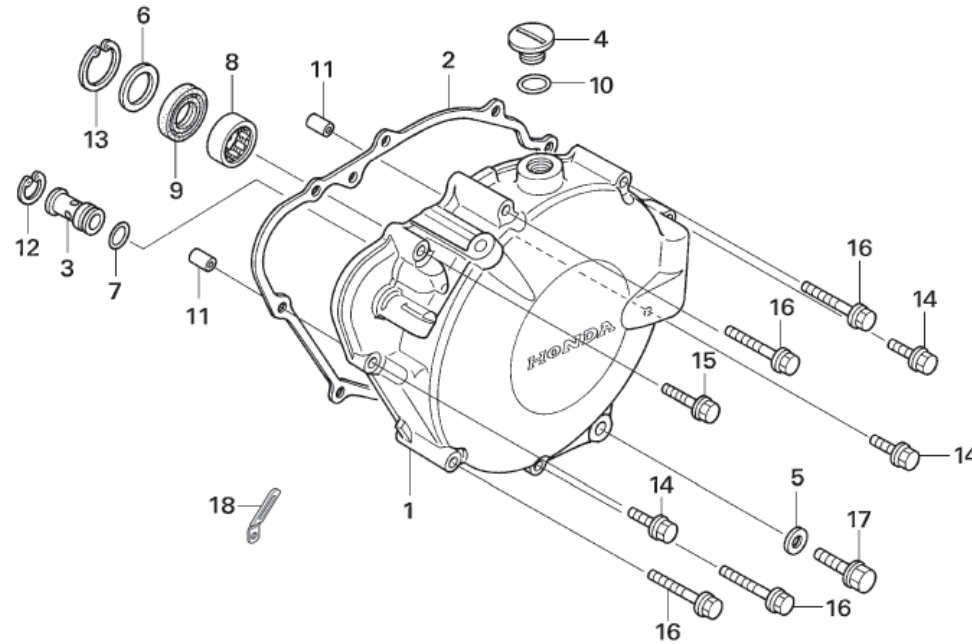


Block No.

E-9

LH. Crankcase cover



Ref.No.	Part No.	Description	Qty. '15	Ref.No.	Part No.	Description	Qty. '15
1	11340-NN4-010	COVER COMP., LH. CRANK CASE	1	16	96001-06050-00	BOLT, FLANGE, 6X50	4
2	11395-NN4-000	GASKET, LH. COVER.....	1	17	96300-08035-00	BOLT, FLANGE, DR, 8X35	1
3	15220-MEB-770	VALVE ASSY., RELIEF	1	18	91410-KT7-000	CLIP, 4X60	1
4	90084-428-000	CAP, ACG.	1				
5	90441-ME9-000	WASHER, SEALING 8mm	1				
6	90454-GF9-000	WASHER, 20.2mm.....	1				
7	90751-GK1-003	O-RING 8.5X1.7	1				
8	91008-NN4-003	BEARING, NEEDLE 15X25X12	1				
9	91202-NN4-003	OIL SEAL, 15X26X5.....	1				
10	91303-377-000	O-RING, 13.8X2.5	1				
11	94301-08100	PIN, DOWEL 8X10.....	2				
12	94520-14000	CIRCLIP, IN, 14.....	1				
13	94520-28000	CIRCLIP, IN, 28.....	1				
14	96001-06028-00	BOLT, FLANGE, 6X28	3				
15	96001-06035-00	BOLT, FLANGE, 6X35	1				