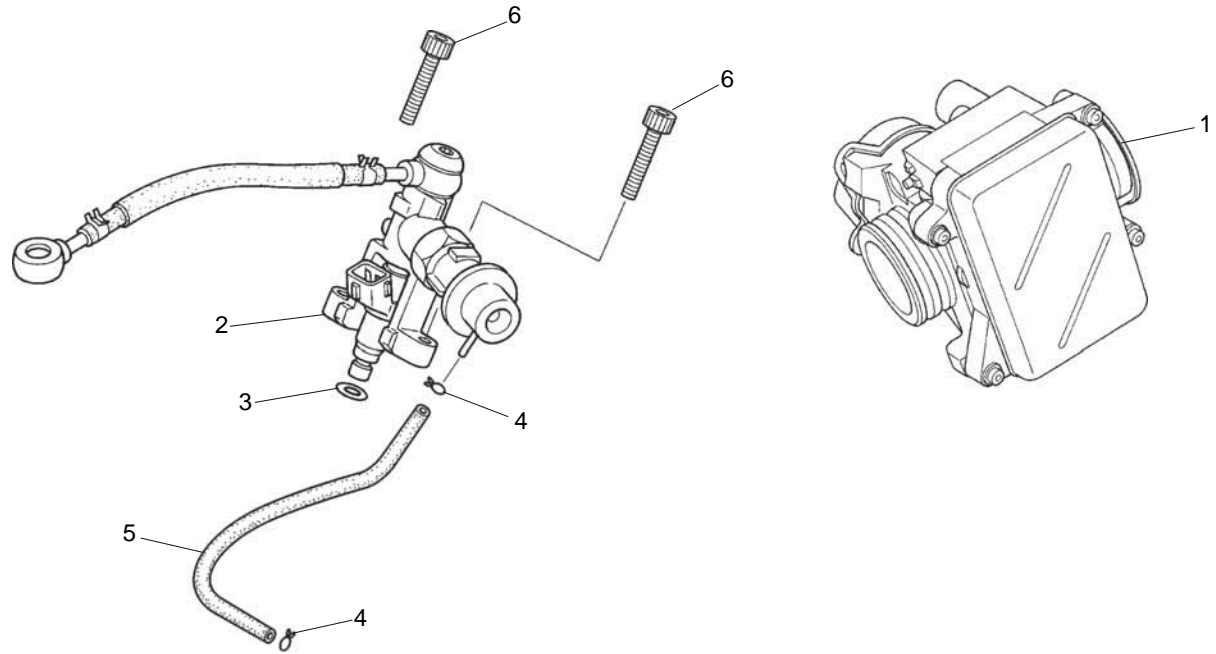


Block No.

E-16

Throttle body
Injector



Ref.No.	Part No.	Description	Qty. '14	Ref.No.	Part No.	Description	Qty. '14
1	16400-NN4-J11	THROTTLE BODY ASSY (ED, 2ED)	1				
2	16420-NN4-000	HOLDER INJECTOR ASSY	1				
3	91302-PA9-003	O-RING, 7.4X3.6	1				
4	95002-02079	CLIP B1 7, TUBE.....	2				
5	95005-35200-20	TUBE, 35X200.....	1				
6	96700-06022-00	SOCKET BOLT 6X22	2				