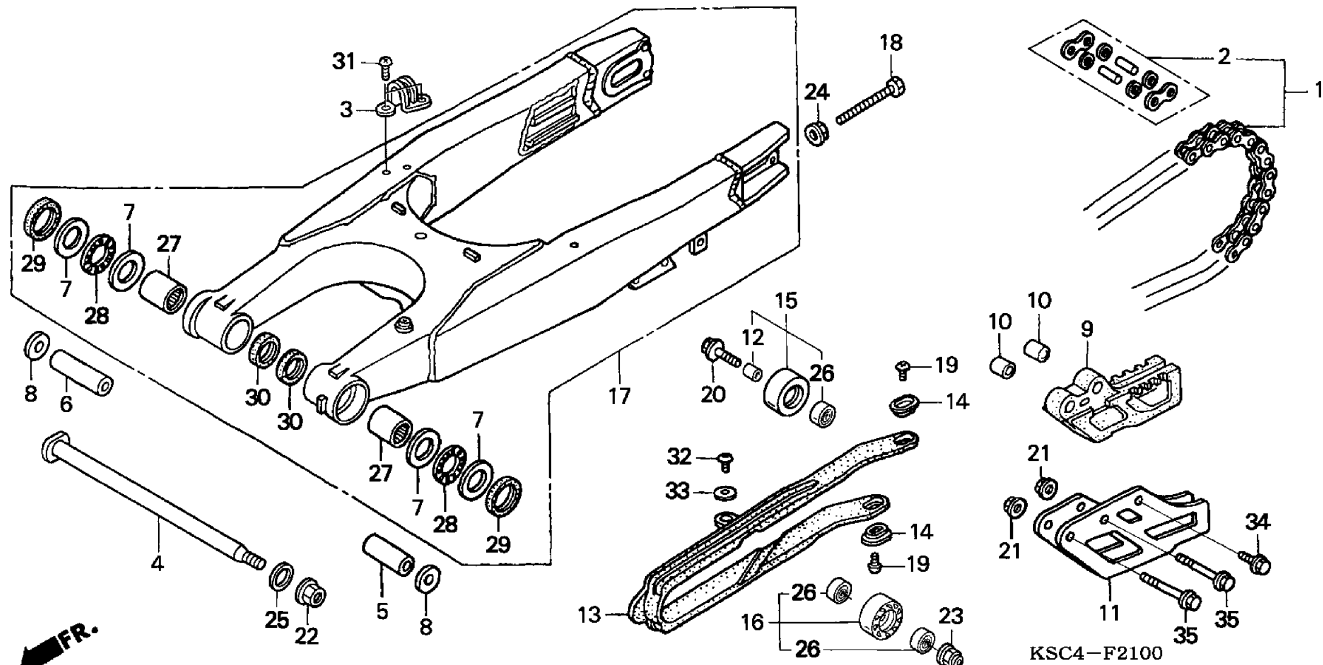


# SWINGARM



KSC4F2100

4 =CRF250X'04

F-21

Frame  
Serial Number

Ref	Description	From	To	AREA	QTY	Part Number	H/C
1	CHAIN, DRIVE (DID520MXV-120ZB) (DAIDO) .....	.....	.....		1	40540-KSC-003	7657745
2	MASTER LINK .....	.....	.....		1	40545-KSC-003	7659329
3	GUIDE, RR. BRAKE HOSE .....	.....	.....		1	43468-KZ3-B00	5245428
4	SHAFT, SWINGARM PIVOT .....	.....	.....		1	52101-KZ4-J40	6824981
5	COLLAR, SWINGARM (49MM) .....	.....	.....		1	52141-KZ3-J40	6830327
6	COLLAR, SWINGARM PIVOT (59MM) .....	.....	.....		1	52141-KZ4-J40	6824999
7	WASHER, SWINGARM SIDE .....	.....	.....		4	52143-KZ3-860	3837820
8	COLLAR, SWINGARM PIVOT SIDE .....	.....	.....		2	52143-KZ4-J40	6825012
9	GUIDE, CHAIN .....	.....	.....		1	52146-MEN-000	7532278
10	COLLAR, CHAIN GUIDE .....	.....	.....		2	52148-MEN-000	7532286
11	PLATE, CHAIN GUIDE.....	.....	.....		1	52156-ML3-910	3225976
12	COLLAR, CHAIN TENSIONER ROLLER....	.....	.....		1	52160-MEN-000	7532294
13	SLIDER, CHAIN .....	.....	.....		1	52170-MEB-750	7187354
14	WASHER, CHAIN SLIDER.....	.....	.....		2	52171-KR6-000	2142156
15	ROLLER, CHAIN (32).....	.....	.....		1	52175-KSK-000	7570526
16	ROLLER, CHAIN (LOWER) .....	.....	.....		1	52176-KZ3-J40	6830335
17	SWINGARM SUB-ASSY., RR. ....	.....	.....		1	52200-KSR-J00	7598808