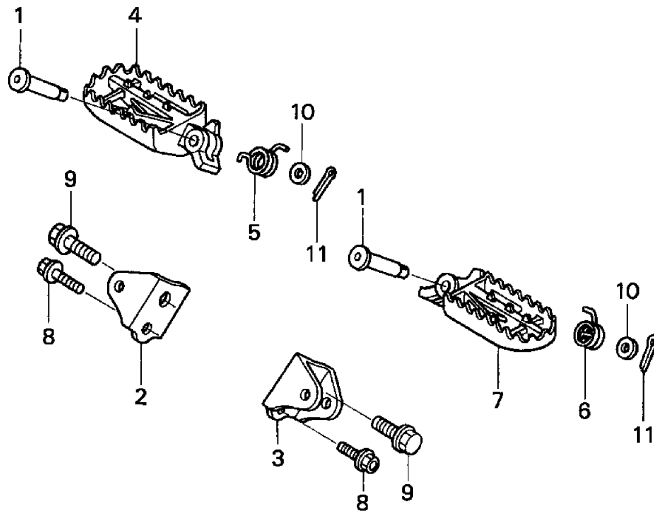


# STEP



KSC4-F1900

KSC4F1900

4 =CRF250X'04

F-19

Frame  
Serial Number

Ref	Description	From	To	AREA	QTY	Part Number	H/C
1	PIN, STEP JOINT .....	-----	-----		2	50603-KZ4-J40	6824809
2	BRACKET, R. STEP.....	-----	-----		1	50610-MEN-670	7532112
3	BRACKET, L. STEP .....	-----	-----		1	50611-MEN-670	7532120
4	ARM, R. STEP .....	-----	-----		1	50616-MEN-670	7532138
5	SPRING, R. STEP RETURN .....	-----	-----		1	50617-KZ4-J40	6824841
6	SPRING, L. STEP RETURN.....	-----	-----		1	50618-KZ4-J40	6824858
7	ARM, L. STEP .....	-----	-----		1	50642-MEN-670	7532146
8	BOLT, FLANGE (8X24) (SH) .....	-----	-----		2	90101-KZ3-J50	7187719
9	BOLT, STEP (12MM) .....	-----	-----		2	90101-KZ4-J40	6825269
10	WASHER, PLAIN (8MM) .....	-----	-----		2	94102-08800	0562215
11	PIN, COTTER (2.5MM).....	-----	-----		2	94201-25150	0058396
	PIN, COTTER (2.5MM).....	-----	-----		2	94201-25200	0058404
	PIN, COTTER (2.5MM).....	-----	-----		2	94201-25250	0145581
	PIN, COTTER (2.5MM).....	-----	-----		2	94201-25300	0156091