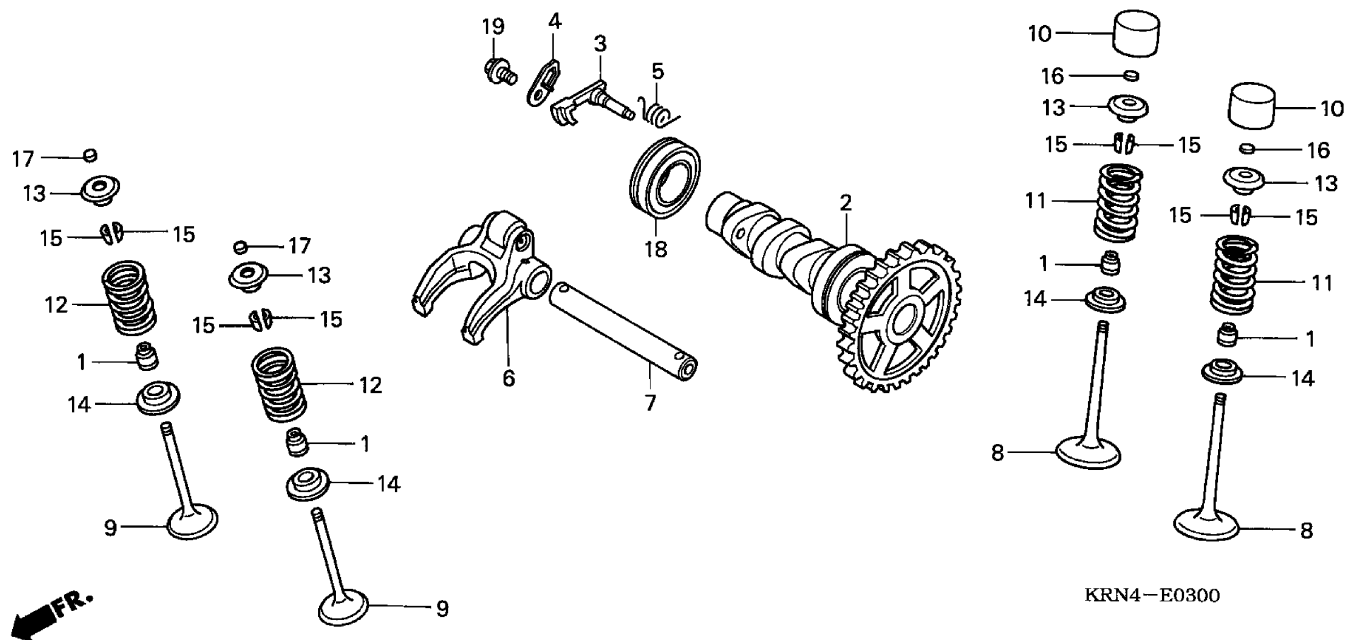


# CAMSHAFT • VALVE



KRN4E0300

4 =CRF250X'04	E-3						
	Engine Serial Number						
Ref	Description	From	To	AREA	QTY	Part Number	H/C
17	SHIM, TAPPET (1.275) .....	-----	-----		2	14904-KT7-013	4105581
	SHIM, TAPPET (1.300) .....	-----	-----		2	14905-KT7-013	4105599
	SHIM, TAPPET (1.325) .....	-----	-----		2	14906-KT7-013	4105607
	SHIM, TAPPET (1.350) .....	-----	-----		2	14907-KT7-013	4105615
	SHIM, TAPPET (1.375) .....	-----	-----		2	14908-KT7-013	4105623
	SHIM, TAPPET (1.400) .....	-----	-----		2	14909-KT7-013	4105631
	SHIM, TAPPET (1.425) .....	-----	-----		2	14910-KT7-013	4105649
	SHIM, TAPPET (1.450) .....	-----	-----		2	14911-KT7-013	4105656
	SHIM, TAPPET (1.475) .....	-----	-----		2	14912-KT7-013	4105664
	SHIM, TAPPET (1.500) .....	-----	-----		2	14913-KT7-013	4105672
	SHIM, TAPPET (1.525) .....	-----	-----		2	14914-KT7-013	4105680
	SHIM, TAPPET (1.550) .....	-----	-----		2	14915-KT7-013	4105698
	SHIM, TAPPET (1.575) .....	-----	-----		2	14916-KT7-013	4105706
	SHIM, TAPPET (1.600) .....	-----	-----		2	14917-KT7-013	4105714
	SHIM, TAPPET (1.625) .....	-----	-----		2	14918-KT7-013	4105722
	SHIM, TAPPET (1.650) .....	-----	-----		2	14919-KT7-013	4105730
	SHIM, TAPPET (1.675) .....	-----	-----		2	14920-KT7-013	4105748
	SHIM, TAPPET (1.700) .....	-----	-----		2	14921-KT7-013	4105755