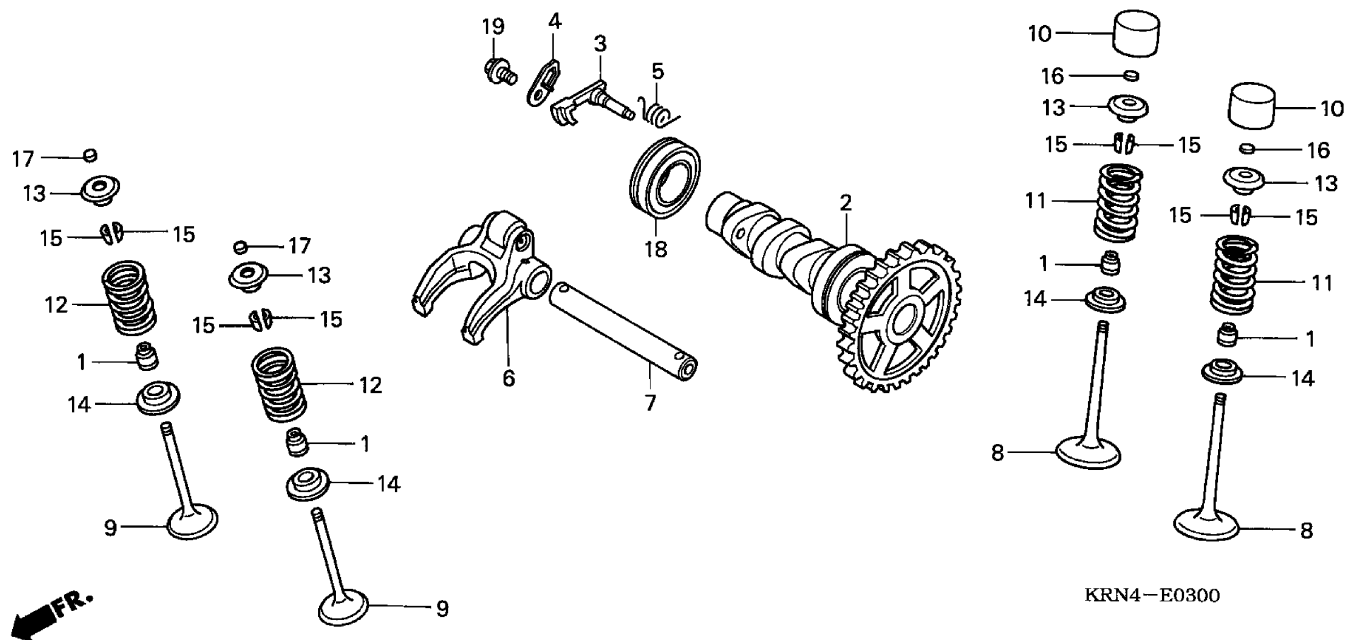


CAMSHAFT • VALVE



KRN4E0300

4 =CRF250X'04	E-3						
	Engine Serial Number						
Ref	Description	From	To	AREA	QTY	Part Number	H/C
16	SHIM, TAPPET (1.250)	-----	-----		2	14903-KT7-013	4105573
	SHIM, TAPPET (1.275)	-----	-----		2	14904-KT7-013	4105581
	SHIM, TAPPET (1.300)	-----	-----		2	14905-KT7-013	4105599
	SHIM, TAPPET (1.325)	-----	-----		2	14906-KT7-013	4105607
	SHIM, TAPPET (1.350)	-----	-----		2	14907-KT7-013	4105615
	SHIM, TAPPET (1.375)	-----	-----		2	14908-KT7-013	4105623
	SHIM, TAPPET (1.400)	-----	-----		2	14909-KT7-013	4105631
	SHIM, TAPPET (1.425)	-----	-----		2	14910-KT7-013	4105649
	SHIM, TAPPET (1.450)	-----	-----		2	14911-KT7-013	4105656
	SHIM, TAPPET (1.475)	-----	-----		2	14912-KT7-013	4105664
	SHIM, TAPPET (1.500)	-----	-----		2	14913-KT7-013	4105672
	SHIM, TAPPET (1.525)	-----	-----		2	14914-KT7-013	4105680
	SHIM, TAPPET (1.550)	-----	-----		2	14915-KT7-013	4105698
	SHIM, TAPPET (1.575)	-----	-----		2	14916-KT7-013	4105706
	SHIM, TAPPET (1.600)	-----	-----		2	14917-KT7-013	4105714
	SHIM, TAPPET (1.625)	-----	-----		2	14918-KT7-013	4105722
	SHIM, TAPPET (1.650)	-----	-----		2	14919-KT7-013	4105730
	SHIM, TAPPET (1.675)	-----	-----		2	14920-KT7-013	4105748