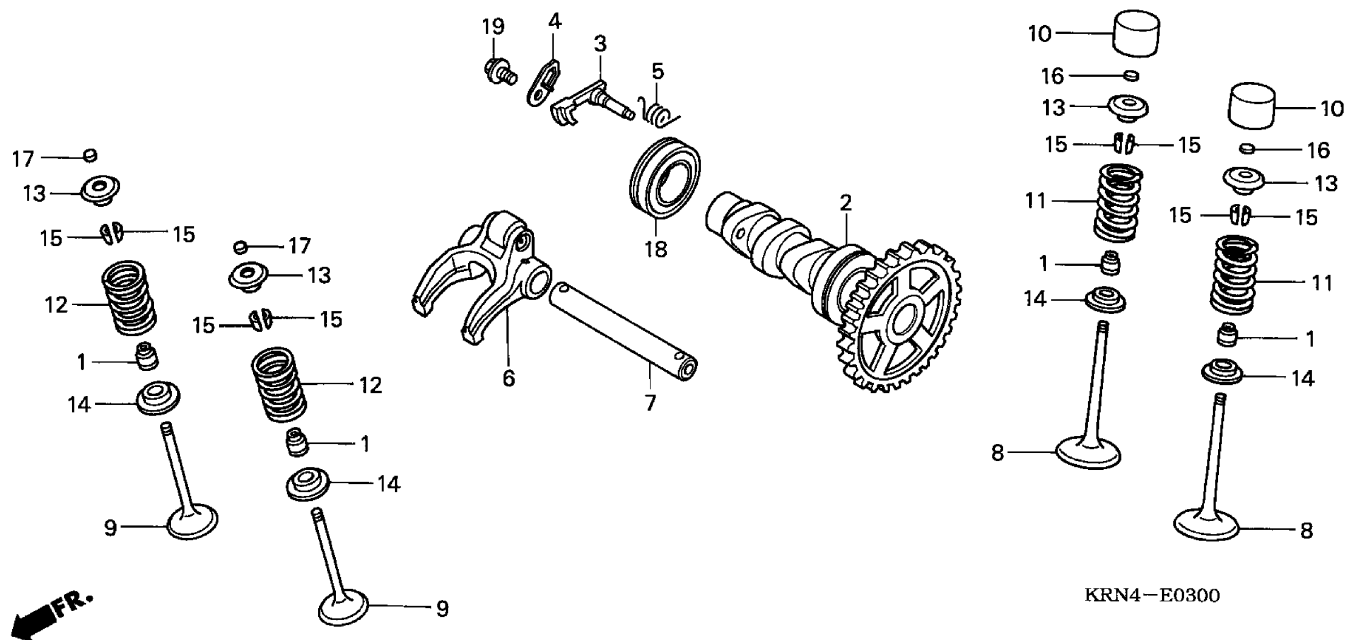


# CAMSHAFT • VALVE



KRN4-E0300

KRN4E0300

4 =CRF250X'04

E-3

Engine  
Serial Number

Ref	Description	From	To	AREA	QTY	Part Number	H/C
1	SEAL, VALVE STEM (NOK).....	.....	.....		4	12209-GB4-681	1905173
2	CAMSHAFT .....	.....	.....	A	1	14100-KSC-670	7656465
	CAMSHAFT .....	.....	.....	AC	1	14100-KSC-770	7656473
3	WEIGHT, DECOMPRESSION .....	.....	.....		1	14102-KRN-670	7605785
4	PLATE, WEIGHT SETTING .....	.....	.....		1	14105-KRN-670	7605793
5	SPRING, DECOMPRESSION .....	.....	.....		1	14106-KRN-670	7605801
6	ARM, EX. ROCKER .....	.....	.....		1	14440-KRN-670	7605827
7	SHAFT, EX. ROCKER ARM.....	.....	.....		1	14451-KRN-670	7605835
8	VALVE, IN. ....	.....	.....		2	14711-KRN-670	7605876
9	VALVE, EX. ....	.....	.....		2	14721-KRN-670	7605884
10	LIFTER, VALVE .....	.....	.....		2	14731-KRN-670	7605892
11	SPRING, IN. VALVE.....	.....	.....		2	14751-KRN-670	7605900
12	SPRING, EX. VALVE .....	.....	.....		2	14761-KRN-670	7605918
13	RETAINER, VALVE SPRING .....	.....	.....		4	14771-KRN-670	7605926
14	SEAT, VALVE SPRING .....	.....	.....		4	14775-KRN-670	7605934
15	COTTER, VALVE .....	.....	.....		8	14781-MAT-000	5212840
16	SHIM, TAPPET (1.200) .....	.....	.....		2	14901-KT7-013	4064283
	SHIM, TAPPET (1.225) .....	.....	.....		2	14902-KT7-013	4105565