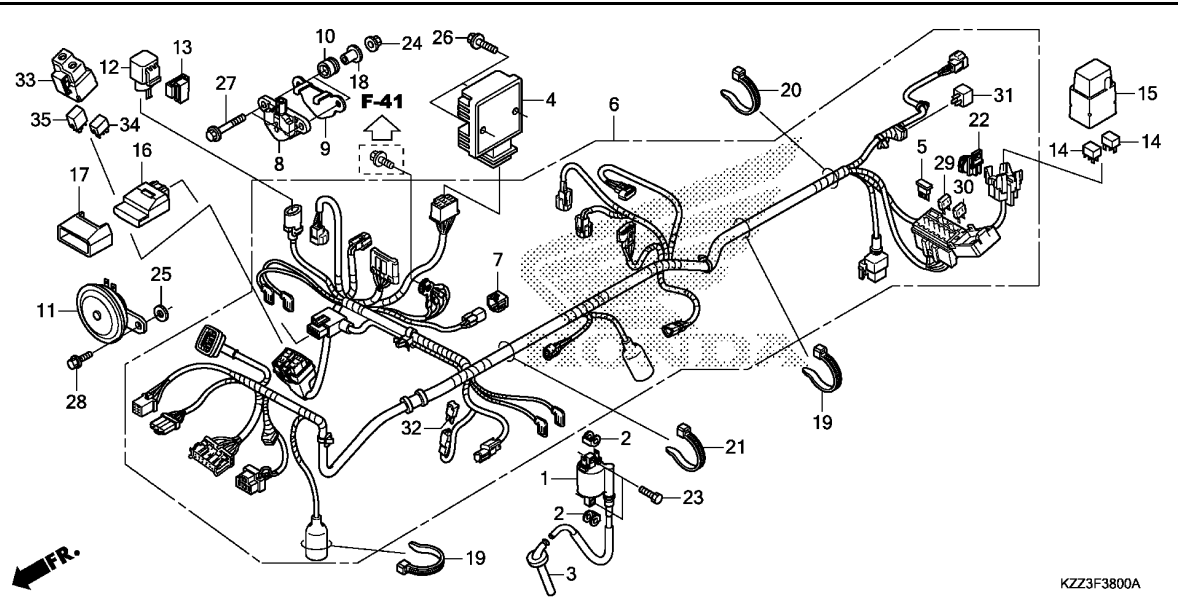


F-38

WIRE HARNESS

H 8



Ref. No.	L.O.N.	(Relative ref. Number) Description	F.R.T.
1	614105	COIL, IGNITION .....	0.6
4	6131B2	RECTIFIER, REGULATE .....	0.4
6	611100	HARNESS, WIRE .....	0.9
8	617125	SENSOR, BANK ANGLE .....	0.3
11	616169	HORN .....	0.1
12	6111C3	RELAY, WINKER .....	0.2
14	6111D9	RELAY, FAN CONTROL .....	0.2
	6111G1	RELAY, FUEL PUMP .....	0.2
16	618135	ENGINE CONTROL MODULE(ECM) ...	0.4
34	6111G2	RELAY, HAZARD .....	0.2
35	6111T5	RELAY, HORN .....	0.2

KZZ3F3800A

Ref. No.	Part No.	Description	Reqd. QTY			Serial No.	Parts catalogue code
			CRF 250L D	CRF 250L E	CRF 250M E		
1	30510-KZZ-901	COIL COMP., IGNITION .....	1	1	1		
2	30520-GFM-900	SPACER, IGNITION COIL .....	2	2	2		
3	30700-KZZ-901	CAP ASSY., NOISE SUPPRESSOR ..	1	1	1		
4	31600-KVK-901	RECTIFIER ASSY., REGULATOR ..	1	1	1		
5	31730-MAS-601	DIODE ASSY., THREE WAY (SUMITOMO)	1	1	1		
6	32100-KZZ-930	HARNESS, WIRE .....	1	1	1	-----	2ED,3E,BR,E,ED,F,KO,LA,PH,U
	32100-KZZ-B10	.....	1	-	-	-----	2BR
7	32606-GEV-761	CAP, DUMMY(4P)(RED) .....	1	1	1	-----	2ED,3E,BR,E,ED,F,KO,LA,PH,U
	32606-MEL-D01	CAP, DUMMY(6P)(NATURAL) .....	1	-	-	-----	2BR
8	35160-KVS-751	SENSOR ASSY., BANK ANGLE(M6)	1	1	1		
9	35161-KZZ-900	STAY, BANK ANGLE SENSOR .....	1	1	1		
10	37244-MM4-000	RUBBER, SPEEDOMETER MOUNTING	2	2	2		
11	38110-KYJ-901	HORN COMP.(HIGH) .....	1	1	1		
12	38301-KYJ-641	RELAY COMP., WINKER .....	1	1	1		
13	38306-GE7-000	SUSPENSION, WINKER RELAY .....	1	1	1		
14	38501-KWN-901	RELAY COMP., POWER (MICRO ISO 4P)(OMRON)	2	2	2		
15	38506-KZZ-900	COVER, RELAY(2P) .....	1	1	1		
16	38770-KZZ-942	PGM-FI UNIT .....	1	-	-	-----	2BR,BR
	38770-KZZ-932	.....	1	-	-	-----	E,ED,F,LA,PH,U
	38770-KZZ-A62	.....	-	1	-		
	38770-KZZ-A42	.....	-	-	1		
17	38771-KZZ-900	SUSPENSION, ENGINE CONTROL UNIT	1	1	1		
18	77302-473-000	COLLAR, PILLION SEAT .....	2	2	2		

3