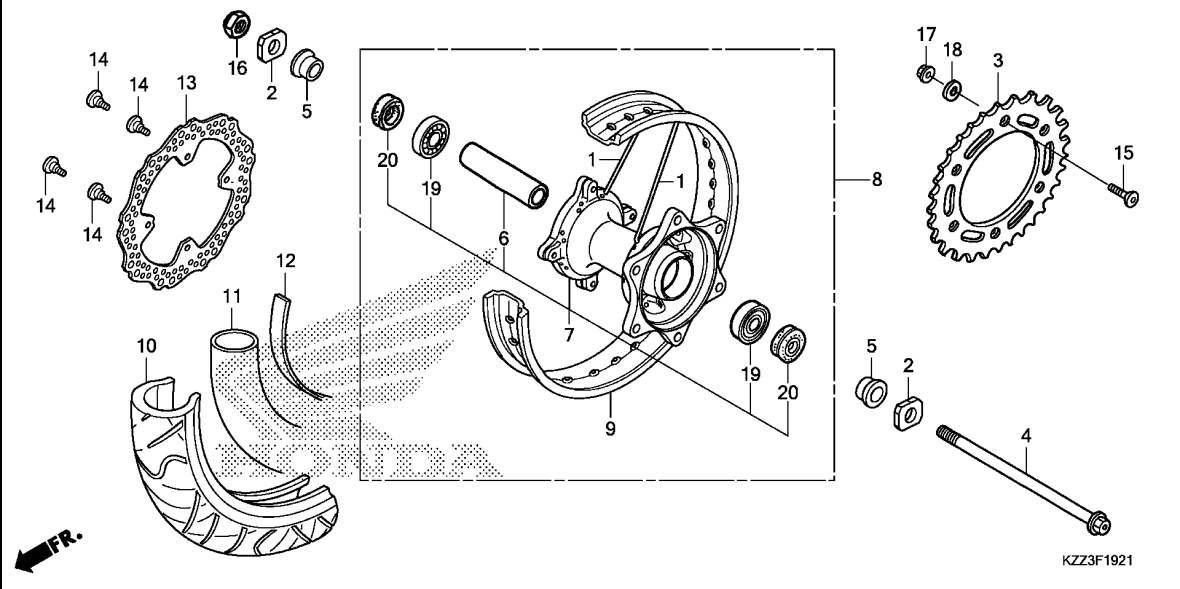


F-19-21

REAR WHEEL(CRF250M)

G 2



Ref. No.	L.O.N.	(Relative ref. Number) Description	F.R.T.
3	7101A0	SPROCKET, FINAL DRIVEN (20)	0.4
4	710160	AXLE, REAR WHEEL	0.3
7	710121	HUB, REAR WHEEL (1)	2.5
8	710118	REAR WHEEL	1.0
9	710127	RIM, WHEEL :REAR (12)	2.4
10	710142	REAR TIRE(ONE) (12)	0.9
11	7101A7	TUBE, REAR TIRE(ONE)	0.9
13	711145	DISC, REAR BRAKE	0.4
19	710133	BEARING, REAR WHEEL(ONE)	0.5
	710133G	.Replace 1 bearing add	0.1

3

Ref. No.	Part No.	Description	Reqd. QTY			Serial No.	Parts catalogue code
			CRF 250L D	CRF 250L E	CRF 250M E		
1	06420-KZZ-A20	SPOKE SET, RR.	-	-	32		
2	40544-KZZ-900	ADJUSTER, CHAIN	-	-	2		
3	41201-MAG-650	SPROCKET, FINAL DRIVEN(39T)	-	-	1		
4	42301-KZZ-900	AXLE, RR. WHEEL	-	-	1		
5	42312-KZZ-900	COLLAR, RR. WHEEL	-	-	2		
6	42620-KZZ-900	COLLAR, RR. AXLE DISTANCE	-	-	1		
7	42635-KZZ-A20	HUB SUB ASSY., RR.	-	-	1		
8	42650-KZZ-C01	WHEEL SUB ASSY., RR.	-	-	1	-----	2ED,3E
	42650-KZZ-A21		-	-	1	-----	E,ED
9	42701-KZZ-C02	RIM, RR. WHEEL(17X3.50)	-	-	1	-----	2ED,3E
	42701-KZZ-A22		-	-	1	-----	E,ED
10	42711-KZZ-A21	TIRE, RR.(IRC) (130/70-17 M/C 62S)	-	-	1		
11	42712-KZZ-A21	TUBE, TIRE(IRC)(130/70-17)	-	-	1		
12	42713-KZZ-A21	FLAP, TIRE(IRC)	-	-	1		
13	43351-KZZ-901	DISK, RR. BRAKE	-	-	1		
14	90105-KSP-930	BOLT, DISK, 8X22	-	-	4		
15	90125-KZZ-900	BOLT, SPROCKET FIXING, 10X31	-	-	6		
16	90306-KCJ-951	NUT, U, 16MM	-	-	1		
17	90306-KZZ-901	NUT, U, 10MM	-	-	6		
18	90438-463-000	WASHER, SPECIAL, 11X21X2.3	-	-	6		
19	91051-KPS-732	BEARING, BALL RADIAL, 6303U (NSK)	-	-	2		
20	91253-033-003	OIL SEAL, 25X47X6.5	-	-	2		