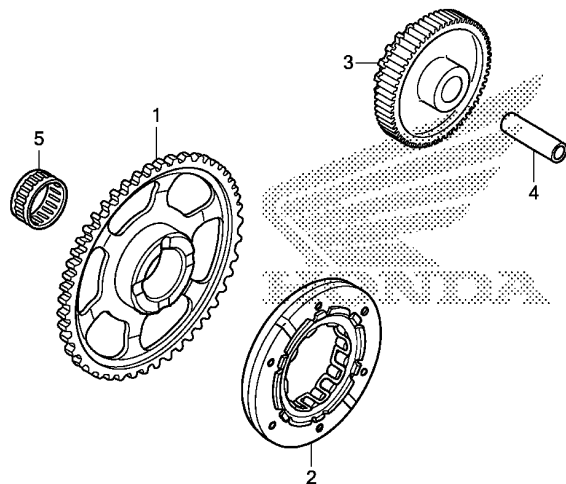


E-9

STARTING CLUTCH

D12



FR.

KZZ3E0900

Ref. No.	L.O.N.	(Relative ref. Number) Description	F.R.T.
1		(5)	
612120		GEAR, STARTER DRIVEN	0.6
612131		OUTER, STARTING CLUTCH	0.7
612125		GEAR, STARTER REDUCTION	0.4

Ref. No.	Part No.	Description	Reqd. QTY			Serial No.	Parts catalogue code
			CRF 250L D	CRF 250L E	CRF 250M E		
1	28110-KYJ-900	GEAR COMP., STARTER DRIVEN (68T)	1	1	1		
2	28125-KYJ-901	OUTER COMP., STARTING CLUTCH	1	1	1		
3	28130-KYJ-900	GEAR, STARTER REDUCTION (17T/60T)	1	1	1		
4	28132-MK5-000	SHAFT C, IDLE GEAR	1	1	1		
5	91107-KYJ-902	BEARING, NEEDLE, 29X34X24 ...	1	1	1		

2