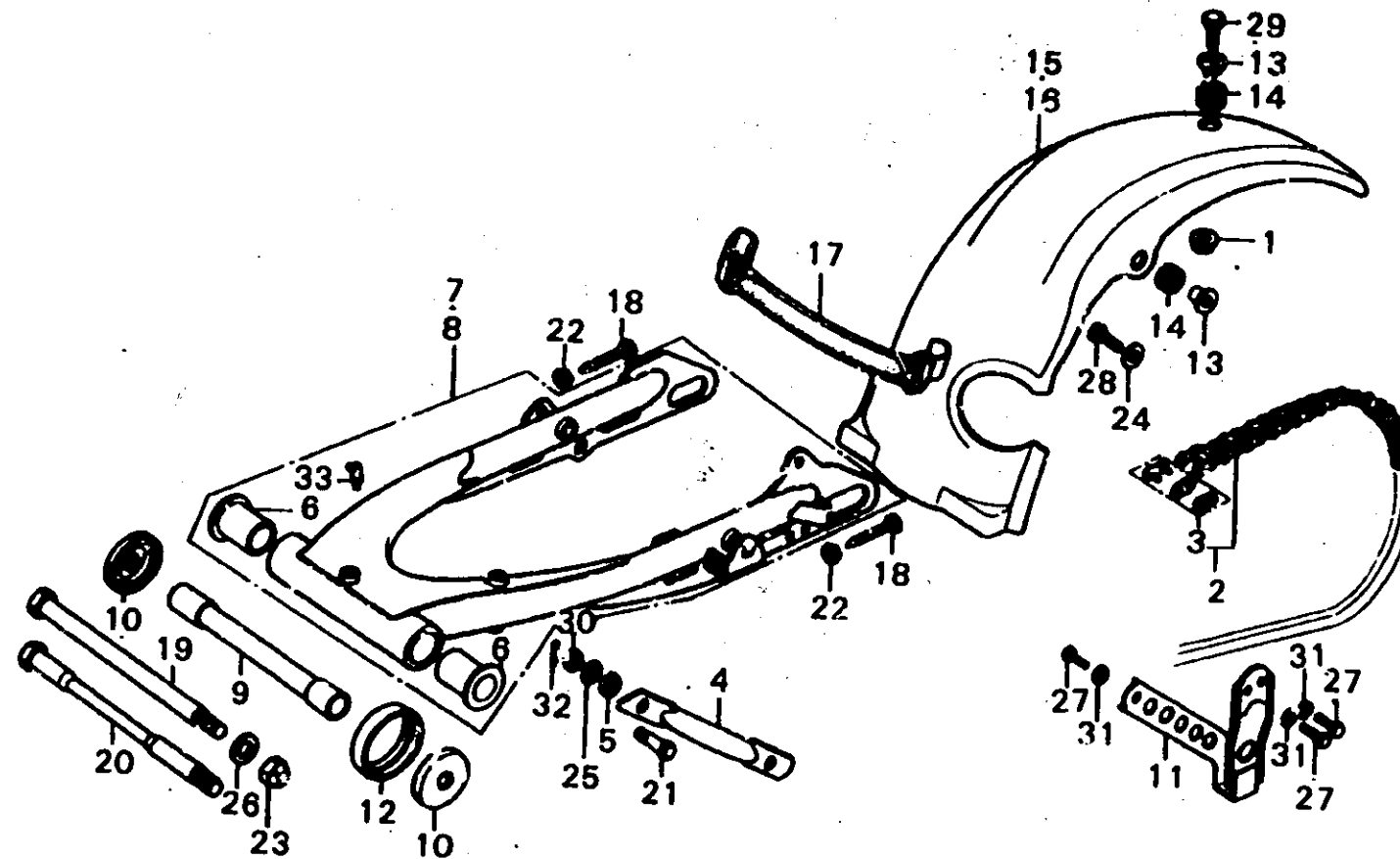


1 7

F-12

Rear fork • Rear fender



B381-45

Service item	F.R.T.	Ref. No.	Part No.	Description	Reqd. No. CR250 M1 M2	Serial No.	Area code
REAR FORK PIVOT BUSH • One or all	0.9	1	18362-720-000	NUT, FLANGE, 6MM	1 1		
REAR FORK ASSY.	0.7	2	40530-381-003	CHAIN, DRIVE (104L DA100)	1 1		
REAR FORK CENTER COLLAR	0.5	3	40531-381-000	JOINT, DRIVE CHAIN	1 1		
DRIVE CHAIN and its related parts	0.3	4	43431-381-000	ARM, RR. BRAKE STOPPER	1 1		
REAR BRAKE STOPPER ARM • REAR FENDER	0.2	5	43434-286-000	RUBBER, STOPPER ARM CUSHION	1 1		
CHAIN GUIDE	0.1	6	52108-457-300	BUSH, RR. FORK PIVOT	2 2		
		7	52110-381-000	FORK ASSY., RR.	1		
		8	52110-381-770ZA	FORK ASSY., RR. *R-23*	1		
		9	52141-381-000	COLLAR, RR. FORK CENTER	1 1		
		10	52144-362-000	CAP, RR. FORK DUST SEAL	2 2		
		11	52156-381-000	GUIDE, CHAIN	1 1		
		12	52170-381-000	SLIPER, CHAIN	1 1		
		13	61104-357-000	COLLAR, FR. FENDER	3 3		
		14	61315-358-000	RUBBER, MOUNT, 22MM	3 3		
		15	80100-381-000	FENDER, RR.	1		
		16	80100-381-770ZA	FENDER, RR. *R-23*	1	3000000	
			80100-395-670ZA	FENDER, RR. *R-23*	1	3000001	
		17	80105-381-000	BAND, FENDER SET	1 1		
		18	90119-300-000	BOLT, CHAIN ADJUSTING	2 2		
		19	90121-381-000	BOLT, RR. FORK PIVOT	1		
		20	90121-381-303	BOLT, RR. FORK PIVOT	1		
		21	90133-286-000	BOLT, RR. BRAKE STOPPER ARM	1 1		
		22	90309-357-000	NUT, HEX., 8MM	2 2		
		23	90354-268-000	NUT, SELF LOCK, 14MM	1 1		
		24	90506-500-000	WASHER, AIR DUCT	3 3		

1977-05-20