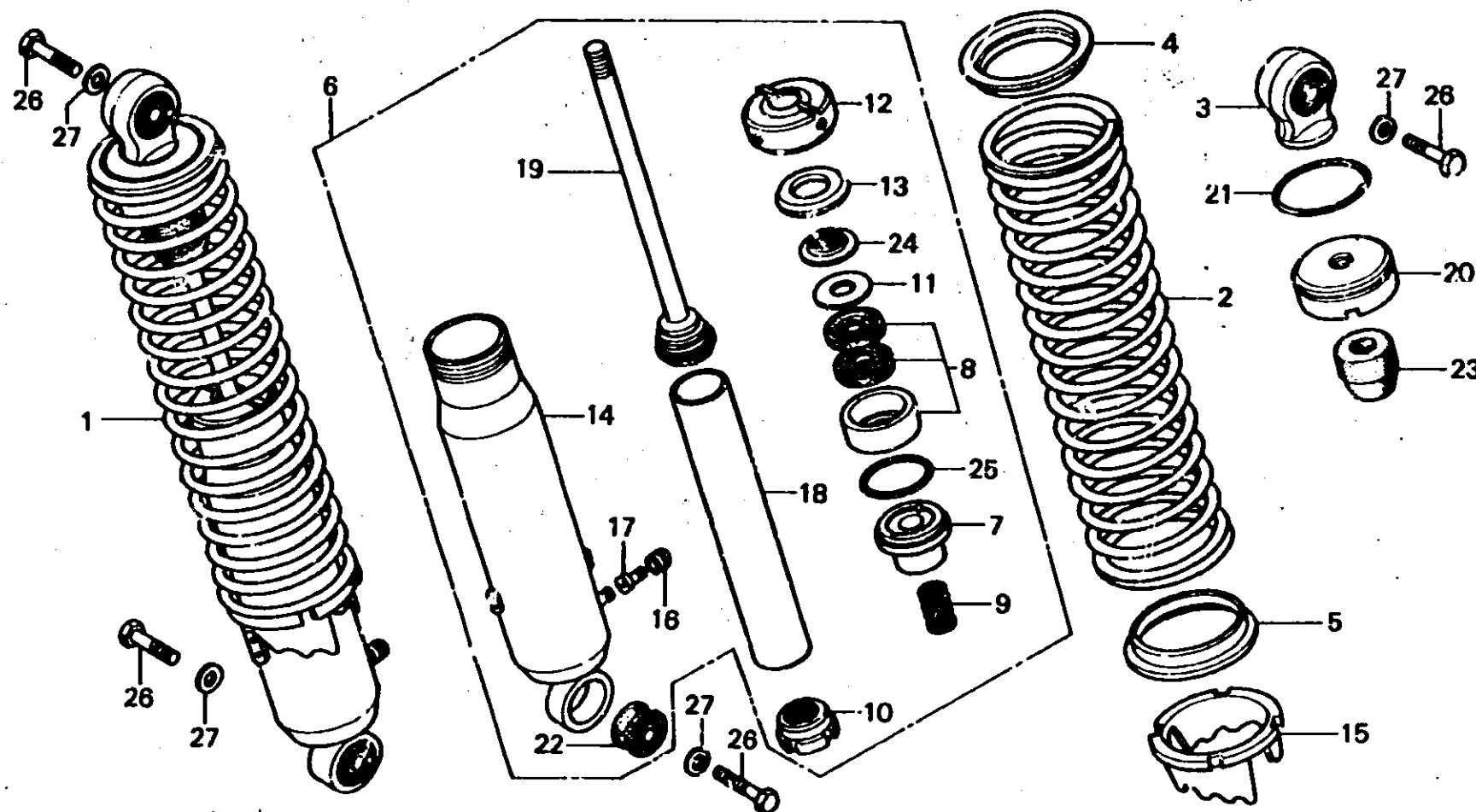


**I 5**

**F-11-1**

**Rear cushion**



8381-46

Service item	F.R.T.	Ref. No.	Part No.	Description	Reqd. No. CH250 M1M2	Serial No.	Area code
DAMPER CASE/DAMPER ROD and those related parts	0.5	1	52400-381-771ZA	SHOCK ABSORBER ASSY., RR. *R-23*	2		
REAR CUSHION SPRING/REAR DAMPER COMP. and those related parts	0.3	2	52401-381-771	SPRING, RR. CUSHION	2		
		3	52403-360-700	JOINT COMP., UPPER	2		
		4	52406-381-771	GUIDE, SPRING UPPER	2		
REAR CUSHION ASSY.	0.1	5	52407-381-771	GUIDE, SPRING UNDER	2		
		6	52410-381-771ZA	DAMPER COMP., RR. *R-23*	2		
		7	52411-381-771	GUIDE, ROD	2		
		8	52412-381-771	CASE, SEAL	2		
		9	52414-381-771	SPRING, REBOUND STOP	2		
		10	52415-381-771	HOLDER COMP., BOTTOM VALVE	2		
		11	52416-381-771	GUIDE, SEAL	2		
		12	52418-381-771	SEAT, BUMP STOP	2		
		13	52419-381-771	PLATE	2		
		14	52420-381-771ZA	CASE COMP., DAMPER *R-23*	2		
		15	52422-381-771	ADJUSTER, SPRING	2		
		16	52425-381-771	CAP, VALVE	2		
		17	52426-381-771	CORE, VALVE	2		
		18	52430-381-771	CYLINDER	2		
		19	52440-381-771	ROD COMP., DAMPER	2		
		20	52459-381-771	SEAT, SPRING	2		
		21	52460-381-771	RING, STOPPER	2		
		22	52489-361-000	BUSH, DAMPER	2		
		23	52517-381-771	RUBBER, STOPPER	2		
		24	91256-381-771	DUST SEAL	2		
		25	91317-381-771	O RING	2		

1977.05.23