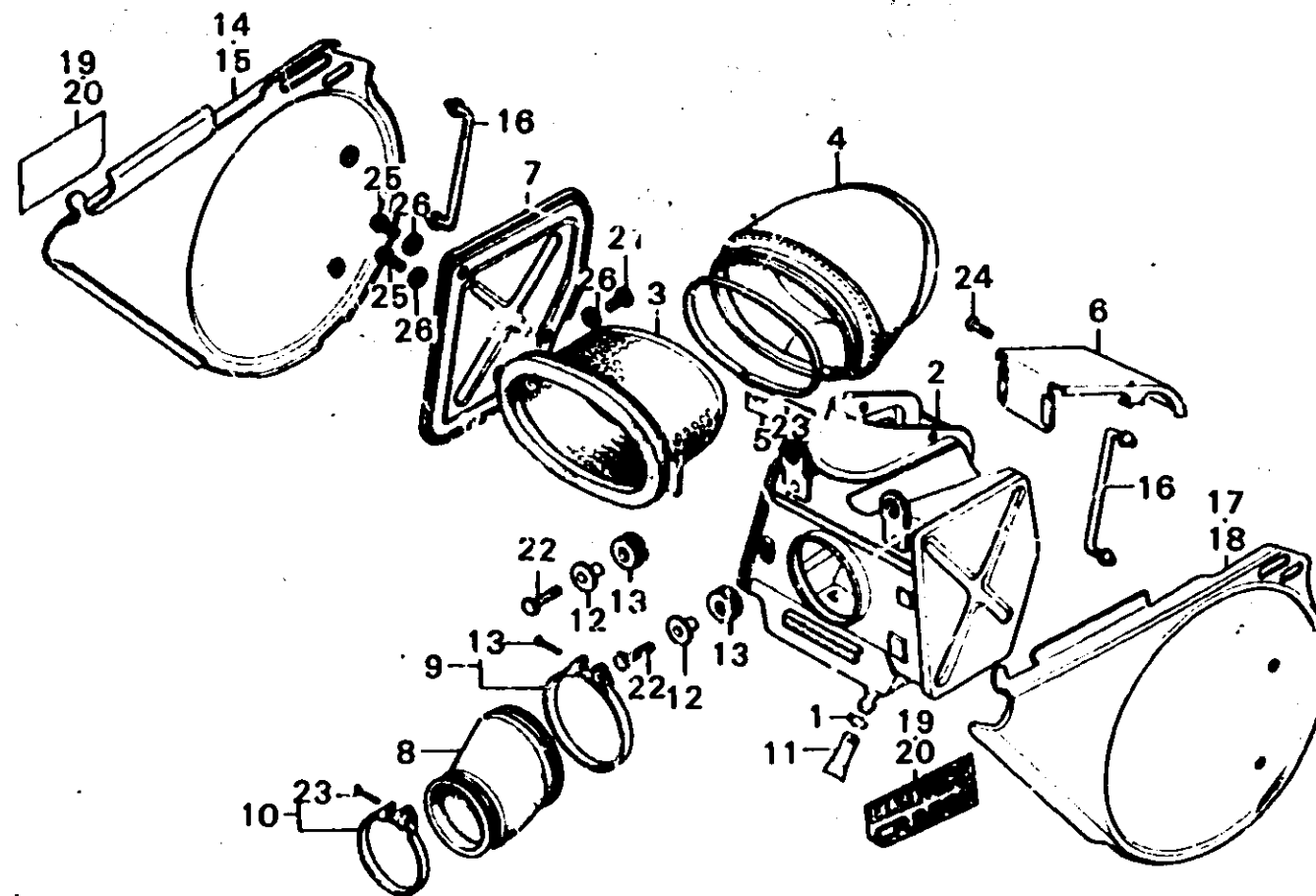


1 1

F-9

Air cleaner - Side cover



B381-43

Service item	F.R.T.	Ref. No.	Part No.	Description	Reqd. No. CR250 M1M2	Serial No.	Area code
AIR CLEANER CASE	0.6	1	15772-292-010	CLIP, BREATHER TUBE	1 1		
AIR CLEANER CONNECTING TUBE	0.3	2	17210-381-000	CASE, AIR CLEANER	1 1		
AIR CLEANER ELEMENT/ ELEMENT BACE	0.2	3	17211-381-000	BASE, AIR CLEANER CASE	1 1		
SIDE COVER/AIR CLEANER COVER/ SIDE COVER MARK	0.1	4	17214-381-000	ELEMENT, AIR CLEANER	1 1		
		5	17215-381-000	BAND, AIR CLEANER ELEMENT	1 1		
• One cr all		6	17216-381-670	CAP, AIR CLEANER IN.	1 1		A
• AIR CLEANER INLET CAP		7	17227-381-000	COVER, AIR CLEANER	1 1		
		8	17253-381-000	TUBE, AIR CLEANER CONNECTING	1 1		
		9	17257-357-000	BAND B, CLEANER CONNECTING TUBE	1 1		
		10	17257-360-700	BAND B, CONNECTING TUBE	1 1		
		11	17358-381-000	TUBE, DRAIN	1 1		
		12	61104-357-000	COLLAR, FR. FENDER	2 2		
		13	61315-358-000	RUBBER, MOUNT, 22X4	2 2		
		14	83500-381-000ZA	COVER, P. SIDE *R-23*	1		
		15	83500-381-770ZA	COVER, R. SIDE *R-23*	1		
		16	83503-360-700	BAND, SIDE COVER	2 2		
		17	83600-381-000ZA	COVER, L. SIDE *R-23*	1		
		18	83600-381-770ZA	COVER, L. SIDE *R-23*	1		
		19	87203-381-670	EMBLEM, SIDE COVER	2		
		20	87203-381-770	EMBLEM, SIDE COVER	2		
		21	92000-06012	BOLT, HEX., 6X12	1 1		
		22	92000-06022	BOLT, HEX., 6X22	2 2		
		23	93500-04020-0A	SCREW, PAN, 4X20	3 3		
		24	93500-06008	SCREW, PAN, 6X8	1 1		A
		25	93500-06012	SCREW, PAN, 6X12	2 2		

1977.05.20