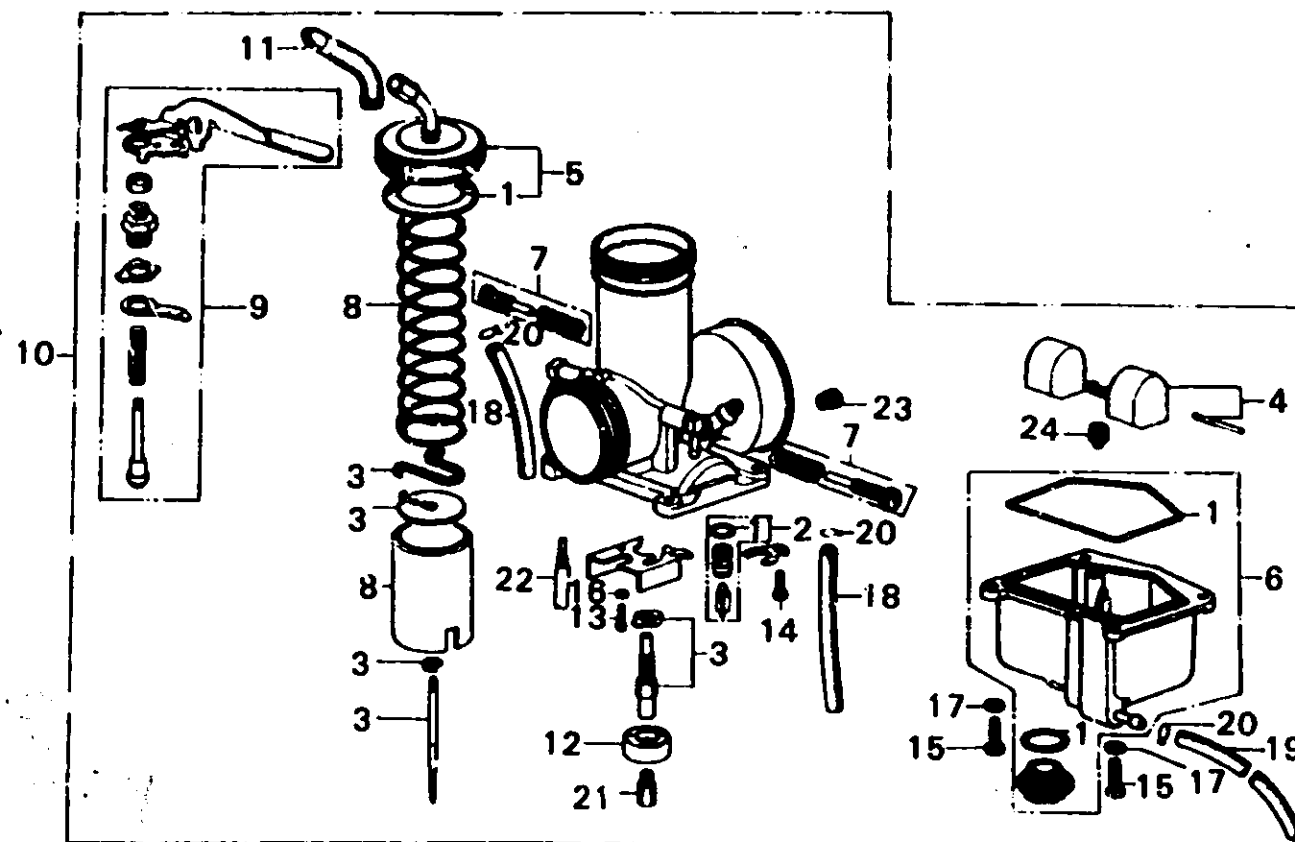


H 3

EOP-4

Carburetor



B381-11

Service item	F R.T.	Ref. No.	Part No.	Description	Reqd. No. CH250 MIM2	Serial No.	Area code
		1	16010-357-014	PACKING SET	(1)(1)		
		2	16011-356-004	VALVE SET, FLOAT	(1)(1)		
		3	16012-381-811	NEEDLE SET, JET	(1)(1)		
		4	16013-360-004	FLOAT SET	(1)(1)		
		5	16014-357-014	TOP SET	(1)(1)		
		6	16015-357-014	BODY SET, FLOAT CHAMBER	(1)(1)		
		7	16016-360-004	SCREW SET	(1)(1)		
		8	16022-357-325	VALVE SET, THROTTLE (#2.0)	(1)(1)		
			16022-357-425	VALVE SET, THROTTLE (#3.0)	(1)(1)		
			16022-357-812	VALVE SET, THROTTLE (#2.5) (STD.)	(1)(1)		
		9	16046-361-670	VALVE SET, STARTER	(1)(1)		
		10	16100-381-811	CARBURETOR ASSY. (38)	(1)		
			16100-381-812	CARBURETOR ASSY. (39)	(1)	3003387	
					(1)	3003388	
		11	16118-357-004	CAP, RUBBER	(1)(1)		
		12	16168-357-014	HOLDER, JET	(1)		
			16168-395-004	HOLDER, JET	(1)		
		13	93500-03006-0A	SCREW, PAN, 3X6	(2)(2)		
		14	93500-04010-0A	SCREW, PAN, 4X10	(1)(1)		
		15	93500-04014-0A	SCREW, PAN, 4X14	(4)(4)		
		16	94111-03000	WASHER, SPRING, 3MM	(2)(2)		
		17	94111-04000	WASHER, SPRING, 4MM	(4)(4)		
		18	95001-35060-40	TUBE, FUEL, 3.5X60	(2)(2)		
		19	95001-35240-40	TUBE, FUEL, 3.5X240	(2)(2)		
		20	95002-02070	CLIP 87, TUBE	(3)(3)		

1977.09.20