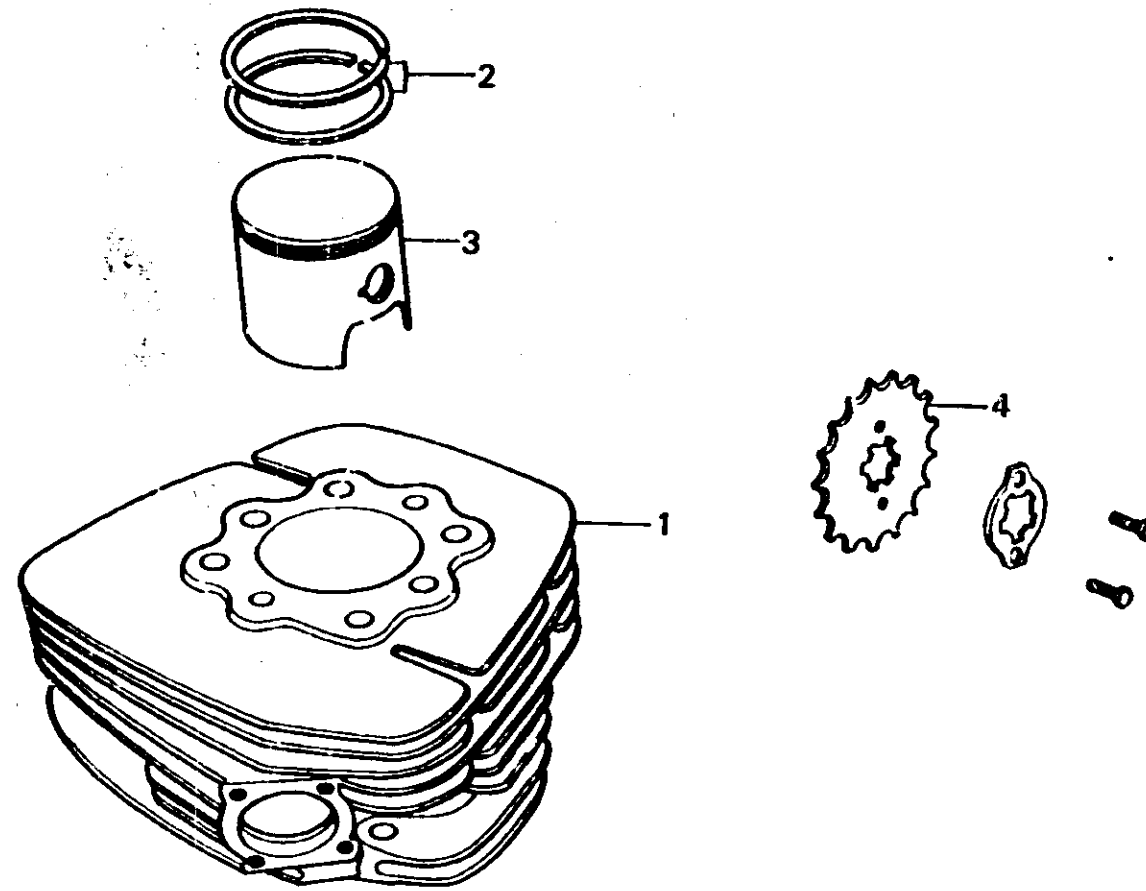


**G 16**

**EOP-1**

**Piston • Cylinder • Sprocket**



B381-2

Service item	F.R.T.	Ref. No.	Part No.	Description	Reqd. No. CR250 M1M2	Serial No.	Area code
		1	12100-381-810	CYLINDER COMP.	(1)(1)		
		2	13021-381-003	RING SET, PISTON (0.25)	(1)(1)		
				(NIPPON)			
			13031-381-003	RING SET, PISTON (0.50)	(1)(1)		
				(NIPPON)			
			13041-381-003	RING SET, PISTON (0.75)	(1)(1)		
				(NIPPON)			
			13051-381-003	RING SET, PISTON (1.00)	(1)(1)		
				(NIPPON)			
		3	13102-381-000	PISTON COMP. (0.25)	(1)(1)		
			13103-381-000	PISTON COMP. (0.50)	(1)(1)		
			13104-381-000	PISTON COMP. (0.75)	(1)(1)		
			13105-381-000	PISTON COMP. (1.00)	(1)(1)		
		4	23801-357-810	SPROCKET, DRIVE (13T)	(1)(1)		
			23803-357-810	SPROCKET, DRIVE (15T)	(1)(1)		

1977.05.20