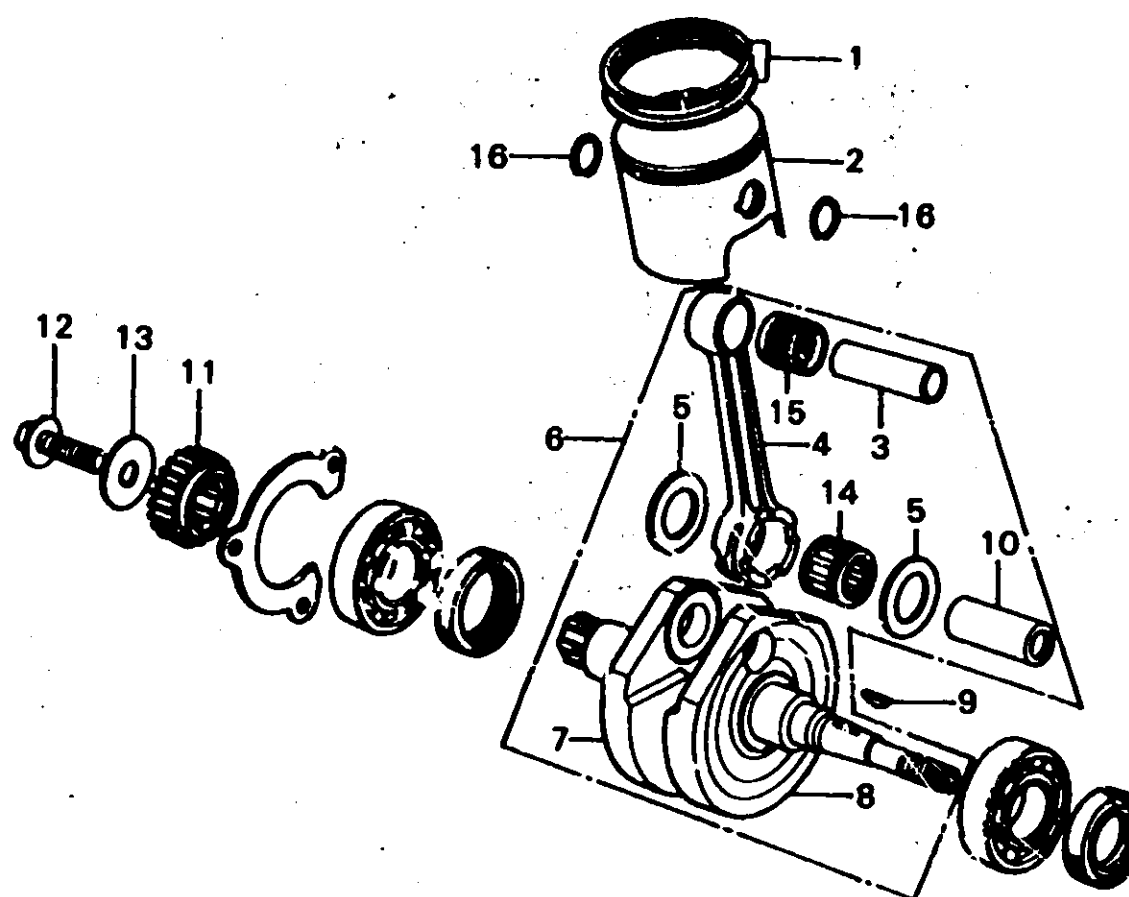




E-6

Piston • Crankshaft



8381-04

Service item	F.R.T.	Ref. No.	Part No.	Description	Reqd. No. CH250 M1M2	Serial No.	Area code
CRANK PIN/CONNECTING ROD and those related parts	*	1	13011-381-003	RING SET, PISTON (STD.) (NIPPON)	1		
★ Actually required time		2	13101-381-000	PISTON COMP. (STD.)	1		
CRANKSHAFT COMP.	*3.5	3	13111-357-000	PIN A, PISTON	1		
PISTON/PISTON RING	1.0		13112-357-000	PIN B, PISTON	1		
PISTON PIN	0.9	4	13201-381-300	ROD, CONNECTING	1		
● PRIMARY DRIVE GEAR		5	13202-357-300	WASHER, CONNECTING ROD SIDE	2		
		6	13300-381-000	CRANKSHAFT COMP.	1		
		7	13311-381-300	CRANKSHAFT, R.	1		
			13311-395-300	CRANKSHAFT, R.	1	3002954	
		8	13321-381-300	CRANKSHAFT, L	1	3002955	
		9	13331-357-000	KEY, SPECIAL WOODRUFF, 25X18	1		
		10	13381-357-330	PIN, CRANK	1		
		11	13615-357-030	GEAR, PRIMARY DRIVE	1		
		12	90013-333-010	BOLT, UBS, 12X30	1		
		13	10201-333-020	WASHER, PRIMARY SHAFT LOCK	1		
		14	91011-357-003	BEARING 1, CONNECTING ROD LARGE END (TOYO)	1		
			91011-357-004	BEARING 1, CONNECTING ROD LARGE END (KOYO)	1		
			91012-357-003	BEARING 2, CONNECTING ROD LARGE END (TOYO)	1		
			91012-357-004	BEARING 2, CONNECTING ROD LARGE END (KOYO)	1		
			91013-357-003	BEARING 3, CONNECTING ROD LARGE END (TOYO)	1		

		Crank pin O. D.		
		3	2	1
Connecting rod large end I.D.	A	24 ⁺ ±0	24 ⁺ -0.004	24 ⁺ -0.008
				24 ⁺ -0.012
	B	91011-357-003 91011-357-004 (red)	91011-357-003 91011-357-004 (red)	
	C	91012-357-003 91012-357-004 (blue)	91012-357-003 91012-357-004 (red)	91011-357-003 91011-357-004 (red)
	D	91013-357-003 91013-357-004 (white)	91013-357-003 91013-357-004 (white)	91012-357-003 91012-357-004 (blue)

1977.05.20