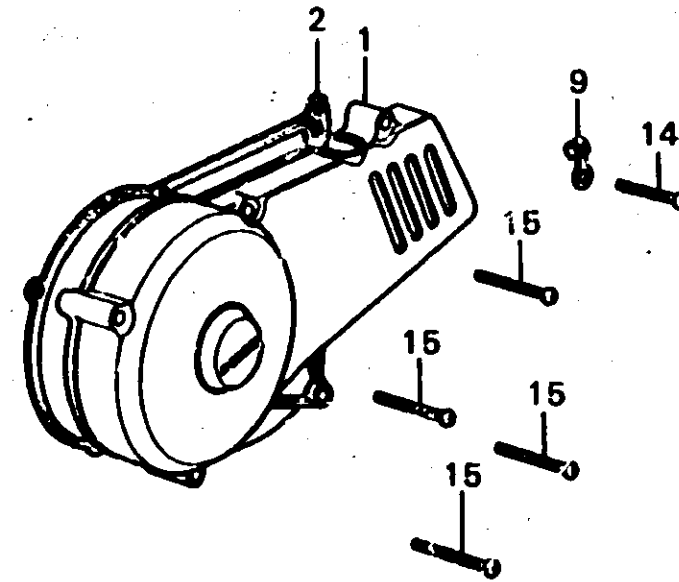
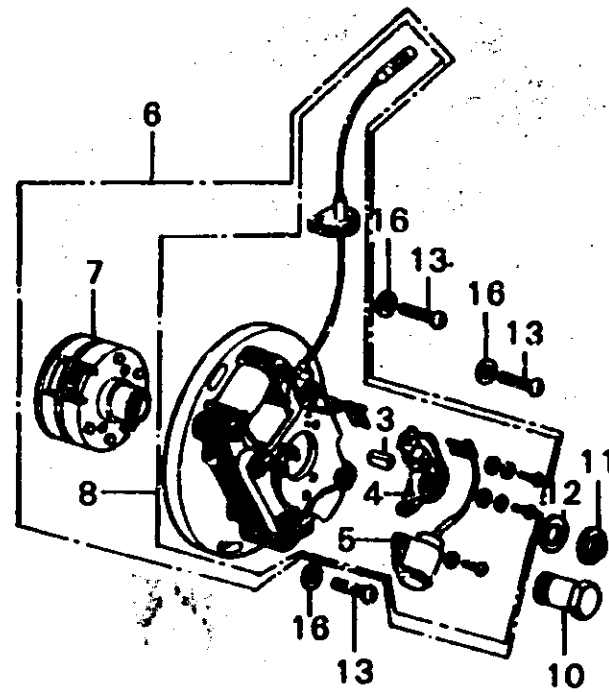


E-4

Left crankcase cover •
A.C.generator



E381-07

Service item	F.R.T.	Ref. No.	Part No.	Description	Reqd. No. CR250 M1M2	Serial No.	Area code
A.C. GENERATOR ASSY./ROTOR	0.3	1	11341-381-000	COVER, L. CRANK CASE	1 1		
STATOR/BREAKER/CONDENSER	0.2	2	1395-357-020	GASKET, L. CRANKCASE COVER	1 1		
L. CRANKCASE COVER/GASKET	0.1	3	30205-357-003	FELT COMP., OIL (KOKUSAN)	1 1		
		4	30210-357-003	BREAKER COMP. (KOKUSAN)	1 1		
		5	30280-357-003	CONDENSER COMP. (KOKUSAN)	1 1		
		6	31100-381-003	A.C. GENERATOR ASSY. (KOKUSAN)	1 1		
		7	31101-381-003	ROTOR COMP. (KOKUSAN)	1 1		
		8	31102-381-003	STATOR COMP. (KOKUSAN)	1 1		
		9	90038-357-000	CLAMPER, POINT CORC	1 1		
		10	90039-381-000	BOLT, REFOVING	1 1		
		11	90201-358-000	NUT, SPECIAL, 12MM	1 1		
		12	90427-358-000	WASHER, ROTOR SET	1 1		
		13	93500-06020	SCREW, PAN, 6X20	3 3		
		14	93500-06028	SCREW, PAN, 6X28	1 1		
		15	93500-06035	SCREW, PAN, 6X35	4 4		
		16	94101-06000	WASHER, PLAIN, 6MM	3 3		

1977.05.20