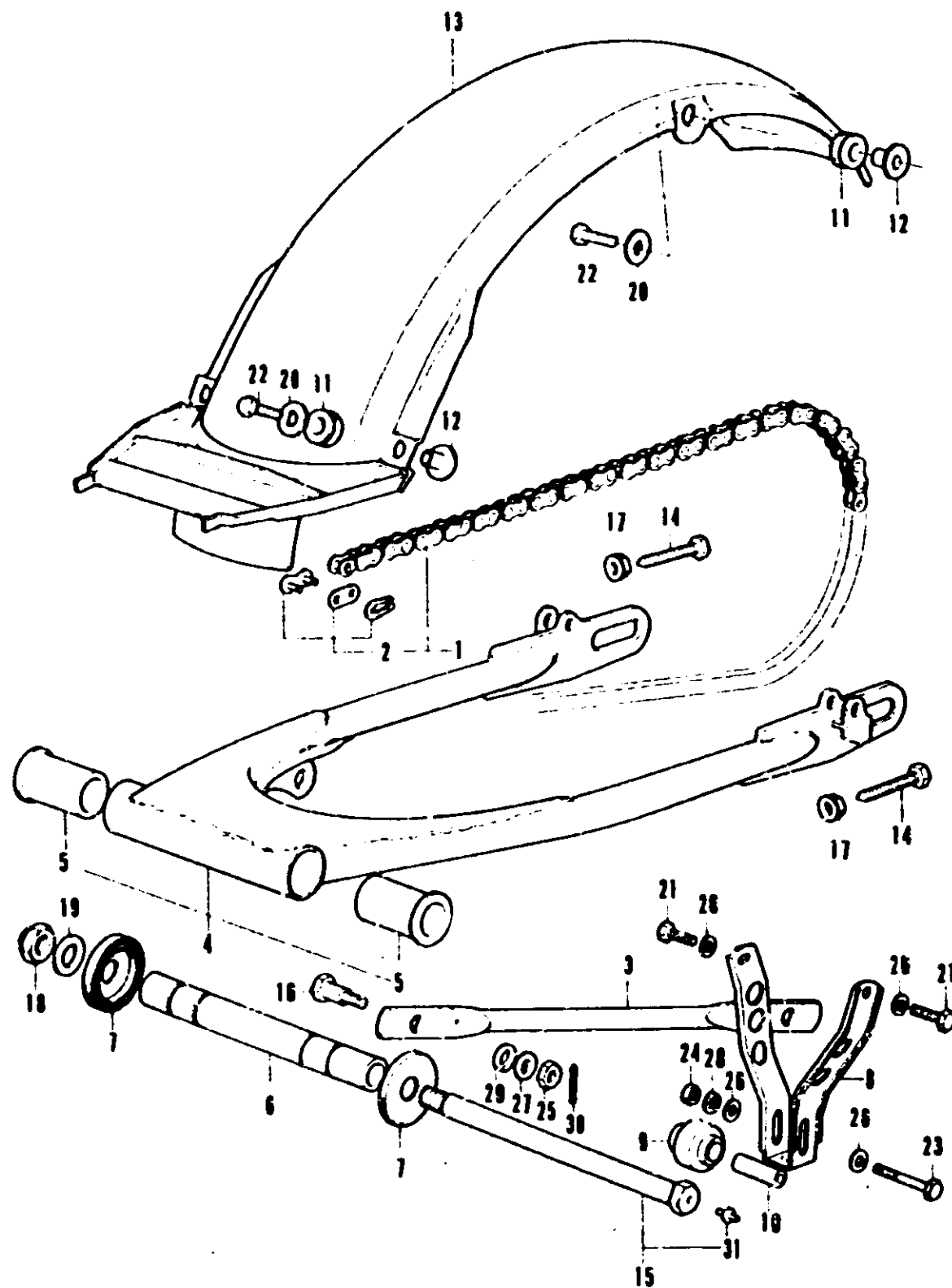


F-11 Rear Fork - Rear Fender



F-11 Rear Fork - Rear Fender



Ref. No.	Part No.	Description	Reqd. No. CR250M	Serial No.	Area Code
1	40530-357-000	CHAIN, DRIVE (D10520TH-106L)	1		
	40530-357-810	CHAIN, DRIVE (D10520TH-111)	1		
2	40531-357-305	CONNECTING, DRIVE CHAIN	1		
	40540-357-305	CONNECTING, DRIVE CHAIN	1		
3	43431-357-020	ARM, RR. BRAKE STOPPER	1		
4	52100-357-020	FORK COMP., RR.	1		
5	52109-357-300	BUSH, PIVOT THRUST	2		
6	52141-357-000	COLLAR, RR. FORK CENTER	1		
7	52144-329-000	CAP, RR. FORK DUST SEAL	2		
	52144-356-003				
8	52156-357-010	GUIDE, CHAIN	1		
9	52157-357-000	ROLLER, TENSIONER	1		
10	52158-357-000	COLLAR, TENSIONER	1		
11	61103-357-000	RUBBER, FR. FENDER MOUNTING	4		
12	61104-357-000	COLLAR, FR. FENDER	4		
13	80100-357-000	FENDER COMP., RR.	1		
14	90119-300-000	BOLT, CHAIN ADJUSTING	2		
15	90121-357-000	BOLT, RR. FORK PIVOT	1		
16	90133-107-000	BOLT, RR. BRAKE STOPPER ARM	1		
17	90309-357-000	NUT, HEX., 8MM	2		
18	90354-268-000	NUT, SELF LOCK, 14MM	1		
19	90526-216-000	WASHER, 14X26	1		
20	90545-292-000	WASHER, 6.5X20	4		
21	92000-06012	BOLT, HEX., 6X12	2		
22	92000-06022	BOLT, HEX., 6X22	4		
23	92000-06045	BOLT, HEX., 6X45	1		
24	94001-06000	NUT, HEX., 6MM	1		
25	94001-08000-05	NUT, HEX., 8MM	1		
26	94101-06000	WASHER, PLAIN, 6MM	4		
27	94101-08000	WASHER, PLAIN, 8MM	1		
28	94111-06000	WASHER, SPRING, 6MM	1		
29	94111-10000	WASHER, SPRING, 10MM	1		
30	94201-20150	PIN, SPLIT, 2.0X15	1		
31	96201-30001	NIPPLE, GREASE, A.45	1		

B357-15