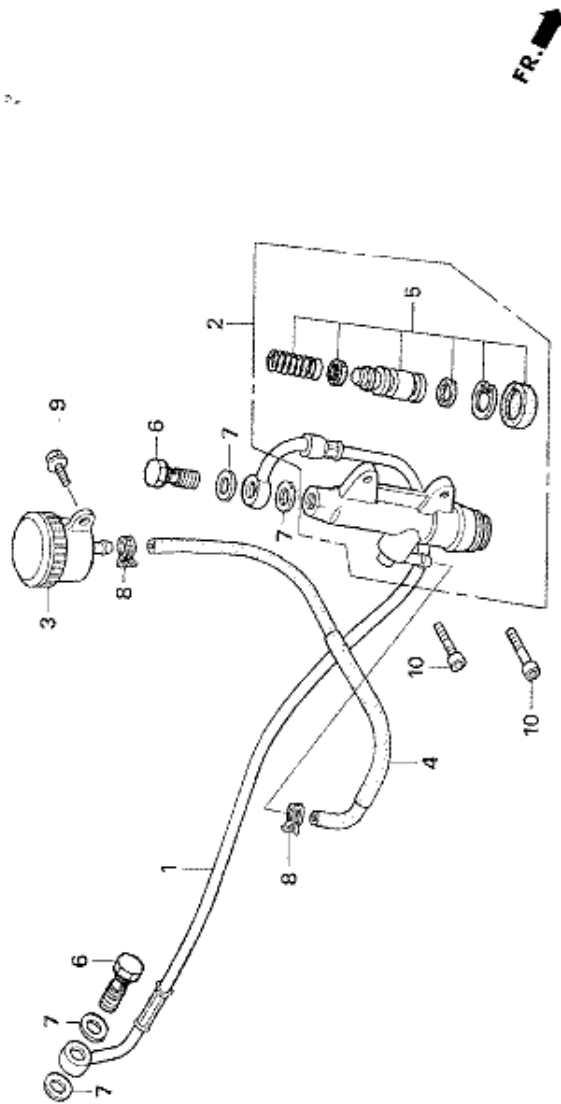


Block No.

F-11

Rear brake master cylinder



| Ref.No. | Part No. | Description | Qty. '06 | Ref.No. | Part No. | Description | Qty. '06 |
|---------|----------------|----------------------|-------------|---------|----------|-------------|-------------|
| 1 | 43125-NN3-830 | HOSE, RR BRAKE | 1 | | | | |
| 2 | 43500-NN3-830 | M/C ASSY., REAR | 1 | | | | |
| 3 | 43510-NN2-900 | TANK ASSY., RESERVE | 1 | | | | |
| 4 | 43511-NN4-000 | TUBE COMP., RR M/C | 1 | | | | |
| 5 | 43520-NN3-306 | PISTON SET, RR M/C | 1 | | | | |
| 6 | 90145-NN4-000 | OIL BOLT, 10X21 | 2 | | | | |
| 7 | 90545-300-000 | WASHER, OIL BOLT | 4 | | | | |
| 8 | 95502-40850-08 | CLAMP, D8.5 TUBE | 2 | | | | |
| 9 | 96001-06014-00 | BOLT, FLANGE SH 6X14 | 1 | | | | |
| 10 | 96600-06022-00 | SOCKET BOLT, 6X22 | 2 | | | | |