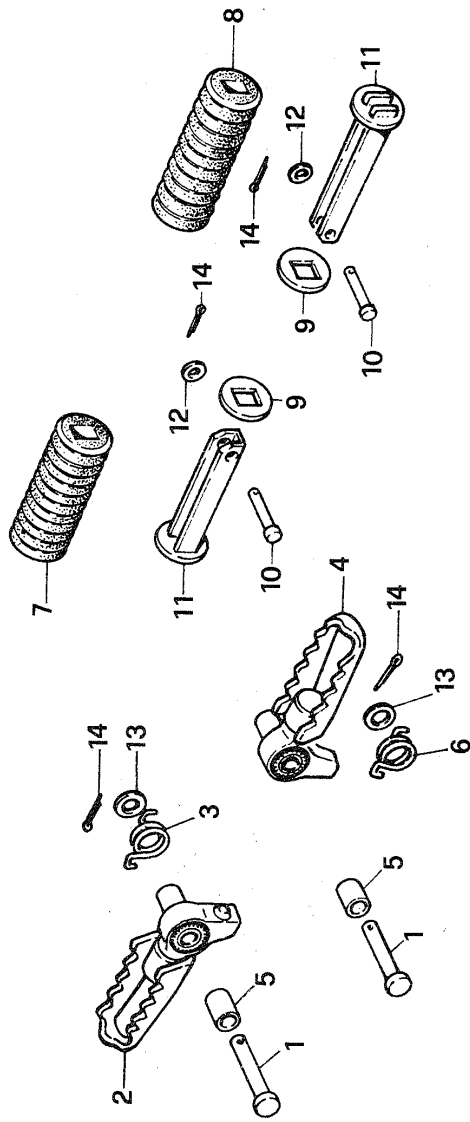


F 7

F-18

**Pedane poggiapiedi
Step**



PARTI DA SOSTITUIRE SERVICE ITEM	F.R.T	POS. No.	CODICE PART. No.	DESCRIZIONE	DESCRIPTION	Req.d. Q.tà Rich. XL200		No. MATR. SER. No.	CODICE MERCATO AREA CODE
						R	P/D		
		1	50603-MC4-000	PERNO PEDANE ANT.	PIN, STEP BAR JOINT	2	2		
		2	50610-KG1-920	PEDANA ANT. DX COMP.	STEP COMP. R.	1	1		
		3	50617-MC4-000	MOLLA RICHIAMO PEDANA DX.	SPRING, R. STEP RETURN	1	1		
		4	50620-KG1-920	PEDANA ANT. SX. COMP.	STEP COMPL. L.	1	1		
		5	50622-KG1-000	DISTANZIALE	COLLAR, STEP SET	2	2		
		6	50644-MC4-000	MOLLA RICHIAMO PEDANA SX.	SPRING, L. STEP RETURN	1	1		
		7	50709-383-920	GOMMINO PEDANA POST. DX.	RUBBER, R. STEP PILLION	1	1		
		8	50710-383-920	GOMMINO PEDANA POST. SX.	RUBBER, L. STEP PILLION	1	1		
		9	50712-KB1-910	RONDELLA PER PEDANA POST.	WASHER, STEP PILLION	2	2		
		10	50715-383-920	PERNO PEDANA POST.	PILLION STEP PIN	2	2		
		11	50715-KB1-910	PEDANA POST. COMP.	REAR PILLION STEP	2	2		
		12	94101-06000	RONDELLA PIANA 6 mm	WASHER, PLAIN 6 mm	2	2		
		13	94101-08000	RONDELLA PIANA 8 mm	WASHER, PLAIN 8 mm	2	2		
		14	94201-16150	COPIGLIA 1,6x15	PIN SPLIT 1.6x15	2	4		