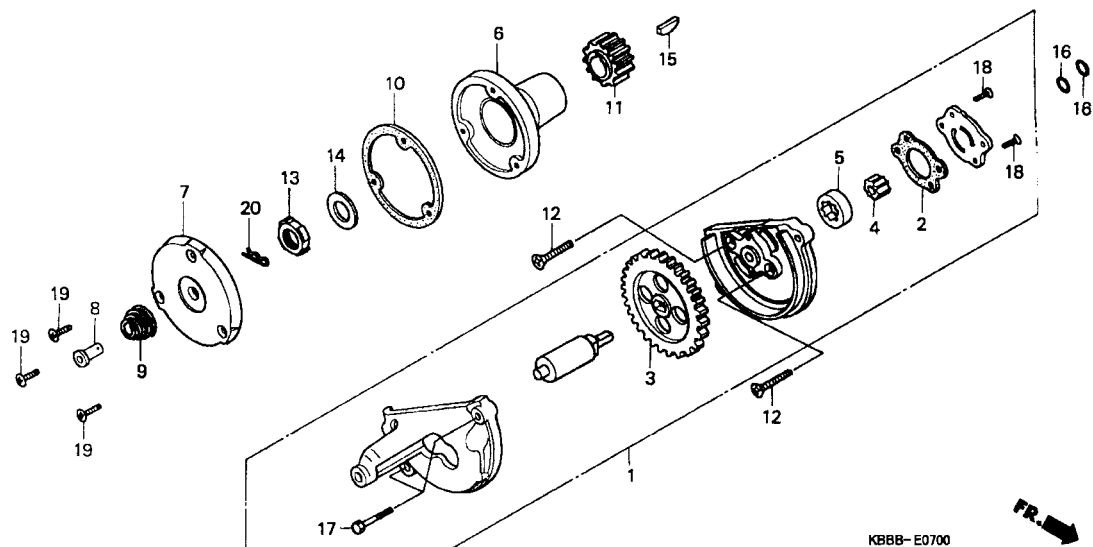


E-7

Oil Pump

Pompe A Huile

Bomba de Aceite



Service item	F.R.T	Ref. N°	Part No.	Description	Qty. XL200	Serial No.	Note
CAP, OIL FILTER ROTOR.....	0.8	1	15100-KBB-900	PUMP ASSY., OIL	1
• GEAR, OIL PUMP DRIVE		2	15126-107-020	GASKET, OIL PUMP.....	1
PUMP ASSY., OIL.....	0.9	3	15131-KBB-900	GEAR, OIL PUMP DRIVE (34T)	1
• ROTOR COMP., OIL FILTER		4	15331-399-000	ROTOR, OIL PUMP INNER (YAMADA)	1
GEAR, PRIMARY DRIVE	1.1	5	15332-399-000	ROTOR, OIL PUMP OUTER (YAMADA).....	1
		6	15430-440-030	ROTOR COMP., OIL FILTER	1
		7	15436-107-000	CAP, OIL FILTER ROTOR.....	1
		8	15441-KCS-650	THROUGH, OIL	1
		9	15446-107-000	SPRING, OIL THROUGH	1
		10	15459-107-000	GASKET, OIL FILTER ROTOR CAP	1
		*	15459-KBB-305	GASKET, OIL FILTER ROTOR CAP	1
		11	23121-KBB-900	GEAR, PRIMARY DRIVE (22T).....	1
		12	90101-440-000	SCREW, FLAT, 6X30	2
		13	90231-KK3-830	NUT, LOCK, 16MM	1
		14	90434-KN6-930	WASHER, 16MM	1
		15	90471-KW1-900	KEY, WOODRUFF, 25X14	1
		16	91304-KK3-830	O-RING, 9.4X2.4	2
		17	92101-05020-0A	BOLT, HEX., 5X20	2
		18	93600-04012-0A	SCREW, FLAT, 4X12	2
		19	93700-05012-0A	SCREW, OVAL, 5X12	3
		20	94251-08000	PIN, LOCK, 8MM.....	1