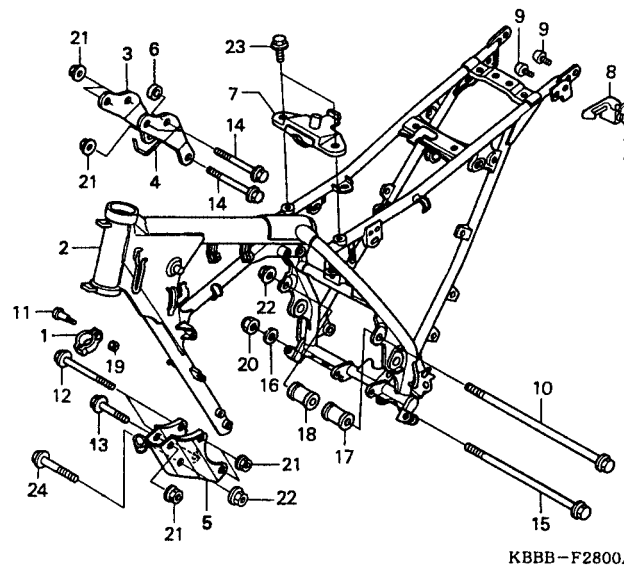


# F-28

## Frame Body

## Carrosserie de Chassis

## Cuerpo de Bastidor



3

Service item	F.R.T	Ref. N°	Part No.	Description	Qty. XL200	Serial No.	Note
HOLDER ASSY., HELMET .....	0.3	1	22878-KW8-900	CLAMPER, CLUTCH CABLE .....	1	.....	.....
BODY COMP., FRAME.....	*4.9	2	50100-KBB-980ZA	BODY COMP., FRAME *NH146M* ACCURATE SILVER METALLIC .....	1	.....	.....
		3	50201-KBB-900	PLATE, R. UPPER ENGINE HANGER.....	1	.....	.....
		4	50202-KBB-900	PLATE, L. UPPER ENGINE HANGER.....	1	.....	.....
		5	50203-KBB-900ZF	PLATE, FR. ENGINE HANGER *NH146M* ACCURATE SILVER METALLIC .....	1	.....	.....
		6	50204-KBB-900	SPACER, ENGINE RANGER .....	1	.....	.....
		7	50205-KBB-900ZK	STAY, RR. TANK *NH146M* ACCURATE SILVER METALLIC.....	1	.....	.....
		8	50710-371-007	HOLDER ASSY., HELMET.....	1	.....	.....
		9	90107-KW8-900	SCREW, HELMET HOLDER SETTING (6X10) .....	2	.....	.....
		10	90109-KW8-900	BOLT, HEX., 10X215 .....	1	.....	.....
		11	90113-GE8-000	SCREW, HANDLE LEVER PIVOT .....	1	.....	.....
		12	90145-GC4-730	BOLT, FLANGE, 8X85 .....	2	.....	.....
		13	90154-MA0-000	BOLT, FLANGE, 8X60 .....	1	.....	.....
		14	90156-MA0-770	BOLT, FLANGE, 8X65 .....	3	.....	.....
		15	90181-KE7-000	BOLT, FLANGE, 10X113 .....	1	.....	.....
		16	90441-MT3-000	WASHER, 10MM .....	1	.....	.....
		17	90742-KW8-900	COLLAR, L. ENGINE DISTANCE.....	1	.....	.....
		18	90743-KW8-900	COLLAR, R. ENGINE DISTANCE.....	1	.....	.....