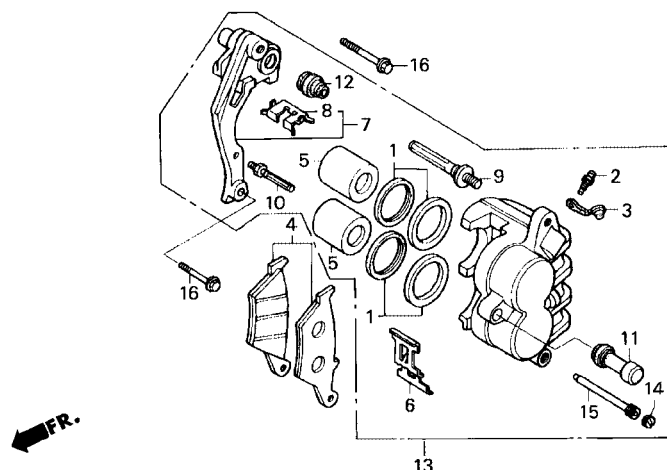


# F-9

## Front Brake Caliper Etrier de Frein Avant Calibre de Freno



KBBB-F0900

3

Service item	F.R.T	Ref. N°	Part No.	Description	Qty. XL200	Serial No.	Note
PAD SET, FR. BRAKE .....	0.1	1	06431-MA3-405	SEAL SET, PISTON.....	1	.....	.....
BRACKET COMP., L. FR.....	0.2	2	43352-568-003	SCREW, BLEEDER.....	1	.....	.....
CALIPER SUB ASSY., L. FR.....	0.4	3	43353-461-771	CAP, BLEEDER.....	1	.....	.....
PISTON COMP .....	0.5	4	45105-KBB-405	PAD SET, FR. BRAKE.....	1	.....	.....
(ADD 0.1 FOR EACH.)		5	45107-ML0-016	PISTON COMP .....	2	.....	.....
(INC. RELATIVE PART)		6	45108-KW8-901	SPRING, PAD .....	1	.....	.....
		7	45110-KCY-671	BRACKET COMP., L. FR. ....	1	.....	.....
		8	45112-KS6-701	RETAINER .....	1	.....	.....
		9	45131-HA5-672	BOLT A, PIN .....	1	.....	.....
		10	45131-166-016	BOLT, PIN.....	1	.....	.....
		11	45132-166-016	BOOT, PIN BUSH (NISSIN) .....	1	.....	.....
		12	45133-MA3-006	BOOT B .....	1	.....	.....
		13	45150-KBB-305	CALIPER SUB ASSY., L. FR. ....	1	.....	.....
		14	45203-MG3-016	PLUG, PIN .....	1	.....	.....
		15	45215-ML7-922	PIN, HANGER .....	1	.....	.....
		16	90131-MS6-900	BOLT, FLANGE, 8X40 .....	2	.....	.....