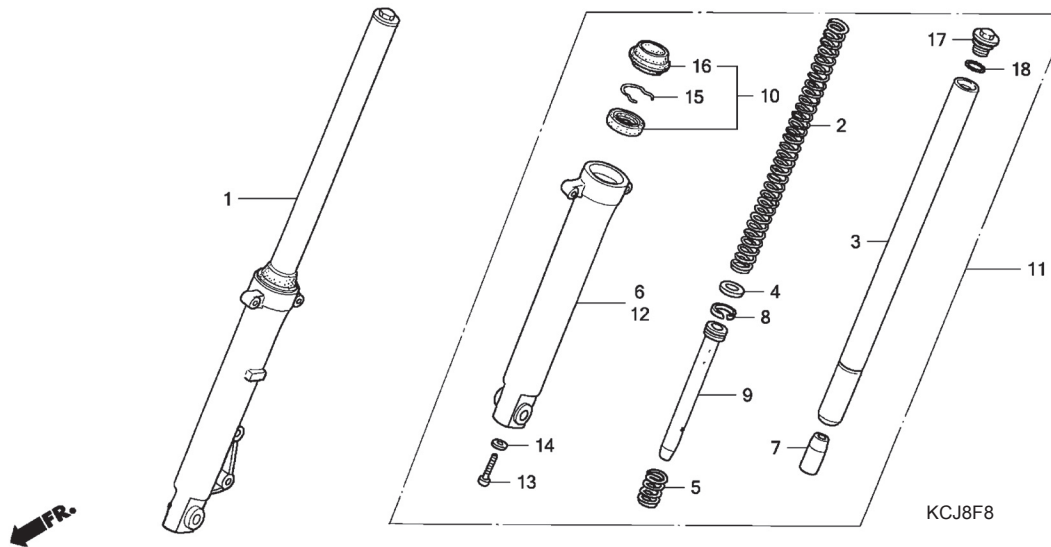


# F - 8

## Front Fork



Bagian yang diservice	F.R.T.	Nomor Petunjuk	Nomor Part	Uraian Part	Jumlah	Nomor Serie	Catatan
FORK ASSY., FRONT :RIGHT .....	0.5	1	51400-KCJ-661	FORK ASSY., R. FR.	1	IN	
FORK ASSY., FRONT :BOTH .....	0.7		51400-KCJ-671	FORK ASSY., R. FR.	1	2IN	
SPRING, FRONT FORK :LEFT.....	0.2	2	51401-KCJ-691	SPRING, FR. FORK	2		
SPRING, FRONT FORK :RIGHT .....	0.2	3	51410-KCJ-661	PIPE COMP., FR. FORK	2		
SPRING, FRONT FORK :BOTH .....	0.4	4	51412-KK4-003	RING, BACK UP	2		
PIPE, FRONT FORK :LEFT .....	0.8	5	51412-369-000	SPRING, FR. CUSHION REBOUND	2		
PIPE, FRONT FORK :RIGHT .....	0.8						
PIPE, FRONT FORK :BOTH.....	1.3	6	51420-KCJ-661	CASE COMP., R. FR. BOTTOM	1	IN	
CASE, BOTTOM :RIGHT .....	0.9		51420-KCJ-671	CASE COMP., R. FR. BOTTOM	1	2IN	
CASE, BOTTOM :BOTH .....	1.5	7	51432-447-731	PIECE, OIL LOCK	2		
SEAL SET, FRONT FORK :LEFT.....	0.8	8	51437-KW6-901	RING, PISTON	2		
SEAL SET, FRONT FORK :RIGHT .....	0.8	9	51440-KCJ-691	PIPE, SEAT	2		
SEAL SET, FRONT FORK :BOTH.....	1.3	10	51490-GAA-305	SEAL SET, FR. FORK	2		
FORK ASSY., FRONT :LEFT .....	0.5						
FORK ASSY., FRONT :BOTH .....	0.7	11	51500-KCJ-661	FORK ASSY., L. FR.	1	IN	
CASE, BOTTOM :LEFT.....	0.9		51500-KCJ-671	FORK ASSY., L. FR.	1	2IN	
CASE, BOTTOM :BOTH .....	1.5	12	51520-KCJ-661	CASE COMP., L. FR. BOTTOM	1	IN	
			51520-KCJ-671	CASE COMP., L. FR. BOTTOM	1	2IN	
		13	90116-383-721	BOLT, SOCKET, 8X27	2		
		14	90544-283-000	WASHER, SPECIAL, 8MM	2		
		15	90601-354-000	RING, OIL SEAL STOP	2		
		16	91254-GAA-003	DUST SEAL	2		
		17	94605-27101	BOLT D1, FORK	2		
		18	94608-50000	O-RING, 23X2.8	2		